

## Model 295 Transmitter (Analog)

### Linearized, Fast Response, Bidirectional Output

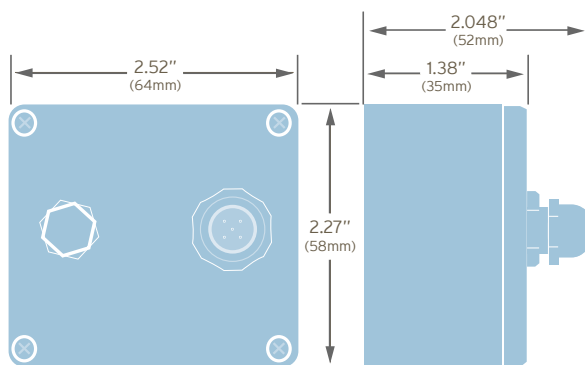
#### FEATURES

- Flow accuracy to  $\pm 0.2\%$  of reading through 16 point linearizing capability
- User selectable output scaling without need to recalibrate
- Anti-dither protection of up to 1 revolution of the meter
- 16 bit resolution and accurate up to 2mV or 4 $\mu$ A
- Windows® programming interface through RS-232 communication port
- CE certified
- Ex-proof version available with ATEX, UL, cUL certification for Class 1, Division 1, Groups C and D

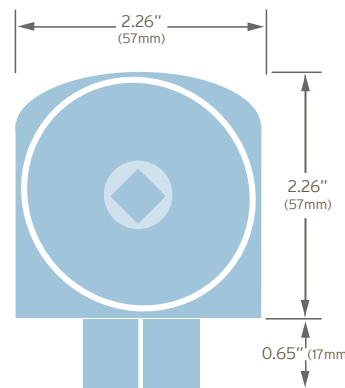
#### SPECIFICATIONS

Output Signal – Two Models	Any range of $\pm 10v$ or $\pm 20mA$
Power Supply Requirements	Choice of 12 Vdc @ 90mA, or 24 Vdc @ 45mA
Ambient Operational Range	-40°C to 80°C, Single piece – Two piece to 110°C
Metered Liquid Temp Range	-40°C to 90°C, Standard model -40°C to 155°C, Two piece high temp model

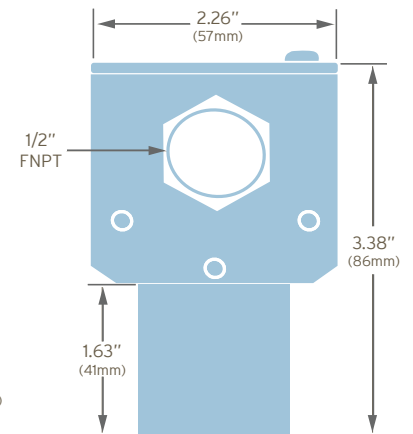
#### DIMENSIONS



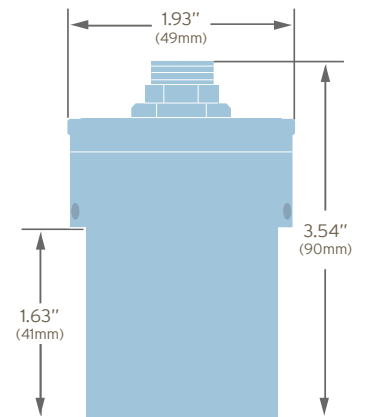
Remote Transmitter Housing  
(High Temp Version)



Ex-proof Transmitter  
(Top View)



Ex-proof Transmitter



Transmitter

# Model 295 Transmitter (Analog) *continued*

## General Description

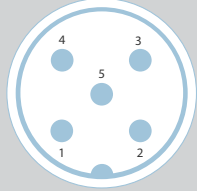
The Model 295 Analog Transmitter utilizes state of the art signal generation to provide a host of functions in a compact sensor package. Flow meter rotation is evaluated thousands of times per revolution to continually report the meter's displacement and generate an analog output signal proportional to the flow rate. In addition to encoding the flow meter's rotation, the software also provides signal damping and anti dither compensation to compensate for flow stream ripple or a slight reversal of flow in the pumping system.

The Model 295 is available with either a voltage or current output with both unidirectional or bidirectional capabilities (user scalable to any range within  $\pm 10\text{Vdc}$  or  $\pm 20\text{mA}$ ). The output signal is linearized over the meter's wide operating range, further enhancing the meter's tight linearity specification.

These transmitters are mated to the Max flow meter and calibrated at the factory as a matched set. This ensures both optimal accuracy and quick setup in the field. For user modification of the system, a serial interface kit is available to provide full access to the signal output parameters.

## Typical Wiring Diagram

The 5-pin connector version is pre-wired inside the transmitter and is ready to accept a mating cable (available from the factory). The remote transmitter version has an interface cable hard wired through the lid. Attach this line to the sending unit. The 5-pin plug on the remote lid is the sensor output connection.

	Liquid - tight & NPT model	5-Pin Connector		
	Connector Terminal	Mating Cable Wire Color	Pin #	
Case Ground	Case	Blue	3	
Common	Com	Black	4	
Power*	V+	Brown	1	
Signal Output (+)	Sig	Grey	5	
Signal Output (-) **	RET	White	2	

\* Model 295-xxx-000, 24vdc powered, Model 295-xxx-100, 12vdc powered

\*\* Signal output is fully isolated: If using a true differential input a 10K Ohm pulldown resistor should be installed between (-) and common at the receiving end.