

Model G004 Gear Flow Meter (Analog) 0.5 cc/min to 4 liters/min

SPECIFICATIONS

Flow Range	0.5 cc/min to 4 liters/min
Accuracy (at 30 cP)	± 0.3% of reading over a 100:1 range, or ± 2mV (or 4µA), whichever is greater
Maximum Operating Pressure	6000 psi (414 bar)
Weight	1.1 kg
Recommended Filtration	15 micron
Port Size(s)	1/8" NPT or #4 SAE
Fluids	Most non-aqueous, hydrocarbon based fluids

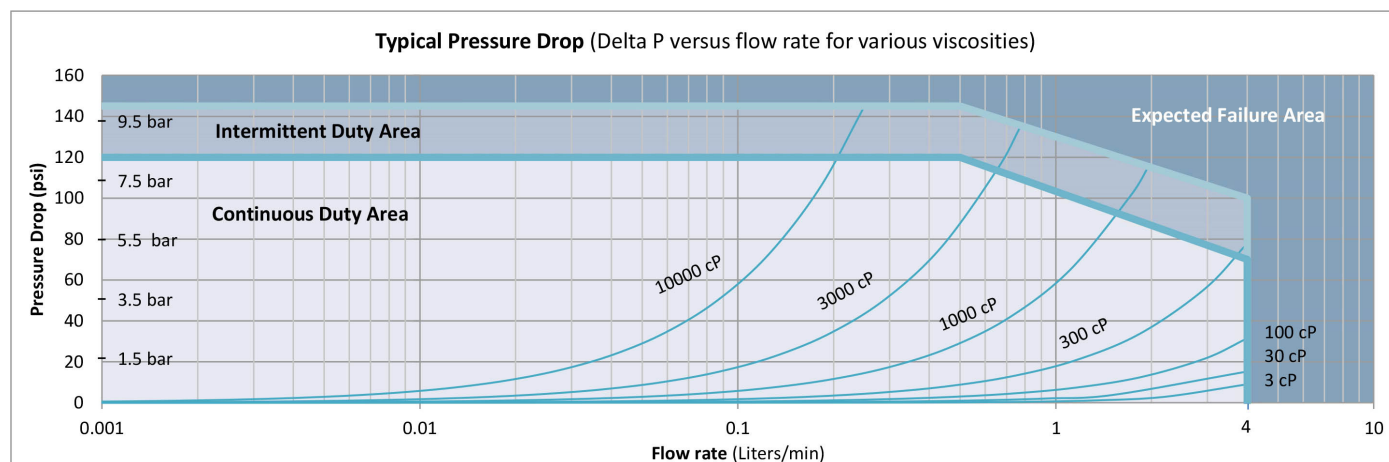


MATERIALS OF CONSTRUCTION

External	Stainless Steel, type 303
Wetted	Stainless Steel, type 303, 440C, 17-4
O-Rings	Standard: Viton® Optional: Teflon®, Perfluoroelastomer

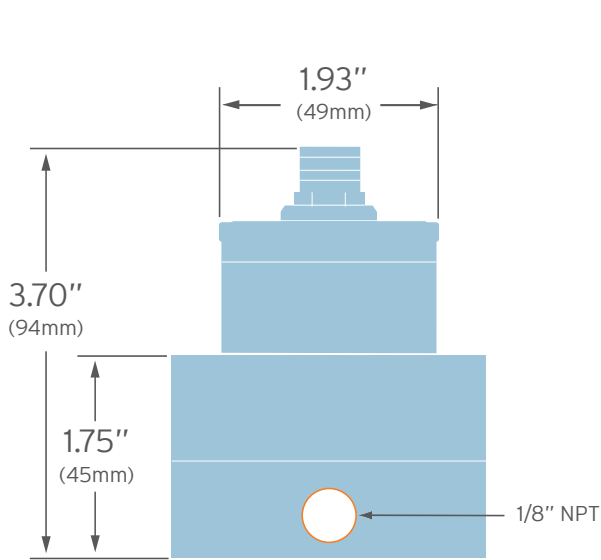
ANALOG TRANSMITTER

Output Signal	Any range of ± 10V or ± 20mA Linearized and damped with anti-dither protection.
Power Supply Requirements	Two Models: 12Vdc @ 90 mA, 24Vdc @ 45 mA
Ambient Operational Range	-40°C to 80°C, Single piece – Two piece to 110°C
Metered Liquid Temp Range (based on 20° ambient)	-40°C to 90°C, Standard model -40°C to 155°C, Two piece high temperature model -40°C to 225°C, Two piece, ultra high temperature model
Compliance	CE Certified, Ex-proof version available with ATEX/IECEX II 2 G Ex db IIB Tx Gb as well as UL, cUL certification for Class 1, Division 1, Groups C and D, Tx

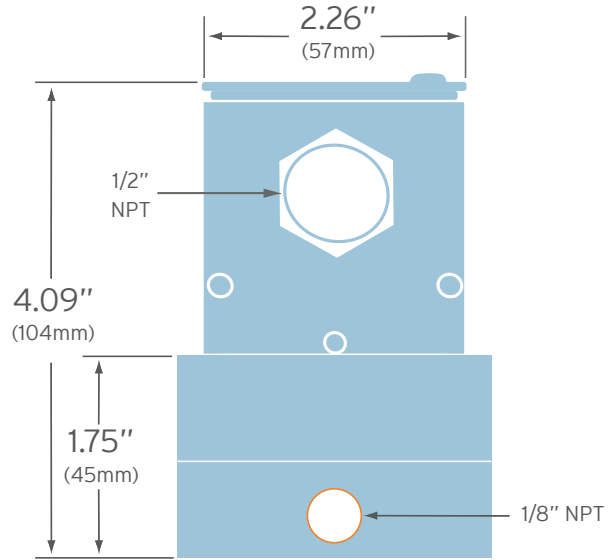


Model G004 Flow Meter (Analog)

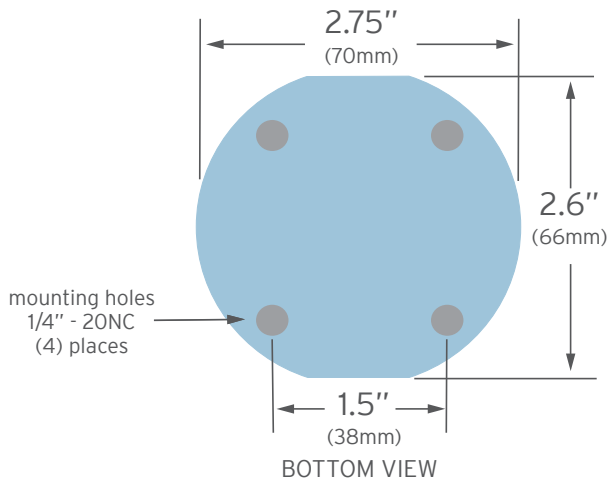
CONNECTIVITY/DIMENSIONS (Not to scale)



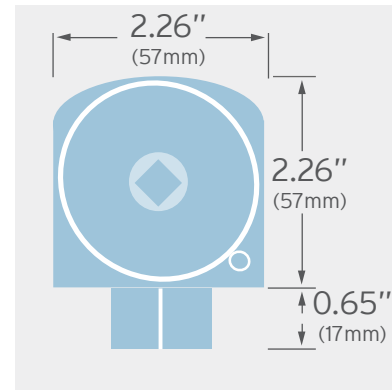
MODEL G004 WITH INDUSTRIAL HOUSING TRANSMITTER



MODEL G004 WITH EX-PROOF HOUSING TRANSMITTER



BOTTOM VIEW

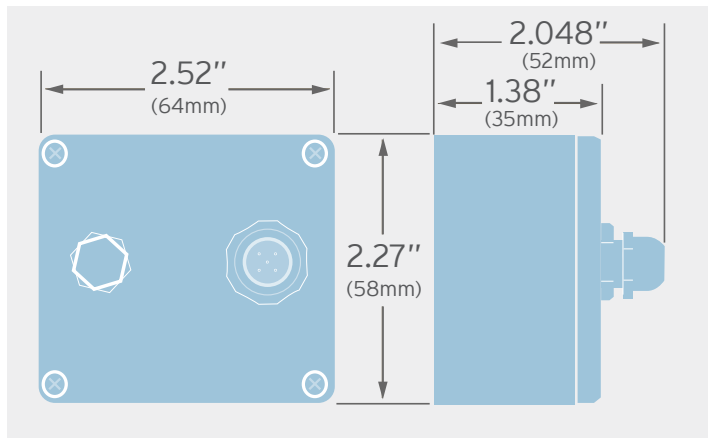


EX-PROOF HOUSING TOP VIEW

ELECTRICAL CONNECTION – ANALOG TRANSMITTERS

PCA Label	Turck® Connector		
	Pin #	Mating Cable Wire Color	
Power *	V+	1	Brown
Common	Com	4	Black
Signal Output (+)	Sig	5	Grey
Signal Output (-)	Ret	2	White
Case Ground	Case	3	Blue

* Please specify 12Vdc or 24Vdc operation



REMOTE PCA ENCLOSURE FOR HIGH TEMPERATURE TRANSMITTERS
(2 meter interconnect cable, not shown)

Positive Displacement Flow Meters Gear Type, G-Series

Flow Meter Selections Transmitter Selections

Model # HS / / 1 - Non-Standard Options

Bi-Directional Cal: BID

1 Transmitter Type

Max Flow Range

4 Liters/Min	G004
15 Liters/Min	G015
45 Liters/Min	G045
105 Liters/Min	G105
240 Liters/Min	G240

Pressure

6000 psi (414 bar) HS

Note: G240 limited to 4000 psi (240 bar)
if specified with NPT connections

Fluid Connection

NPT	1
SAE	2

Seal Selection

Viton® - FKM	1
Teflon® - PTFE***	3
Perfluoroelastomer - FFKM	5

Options

None	NA
Heat Trace Option	HT

Output Type

A	A	4-20mA Output - Powered by 24 Vdc
A	B	4-20mA Output - Powered by 12 Vdc
A	C	0-10 Volt Output - Powered by 24 Vdc
A	D	0-10 Volt Output - Powered by 12 Vdc
P	N	5V Pulse/Freq. - Powered by 5-26 Vdc
Q	N	5V Quadrature - Powered by 5-26 Vdc
P	S	Current Sinking, Single Phase

Temperature Rating

- 90°C Industrial / 75°C Haz-Loc
- 155°C Ind. / 130°C Haz-Loc, 2 Part **
- 225°C Industrial, 2 Part †

Electrical Connection

- Industrial, Turck® Connector
- Hazardous Location, 1/2 Inch Conduit*

Signal Type

P	Pulse
A	Analog
Q	Quadrature

* See temp chart in product manual.
 ** Receiver portion of 2 part transmitters are not rated Ex-Proof, consult factory.
 *** Teflon® not used above 90°C for this high pressure rated product.
 † Not available for hazardous location use. (Exceeds 130°C temp. limit.)
 Product includes single directional calibration, bi-directional calibrations for analog and quadrature devices are optional.



Model G015