

Model G004HZ Gear Flow Meter (Frequency) 0.5 cc/min to 4 liters/min

SPECIFICATIONS

Flow Range	0.5 cc/min to 4 liters/min
Accuracy (at 30 cP)	± 0.3% of reading over a 100:1 range
Maximum Operating Pressure	6000 psi (414 bar)
Weight	1.1 kg
Recommended Filtration	15 micron
Port Size(s)	1/8" NPT
Fluids	Most non-aqueous, hydrocarbon based fluids

MATERIALS OF CONSTRUCTION

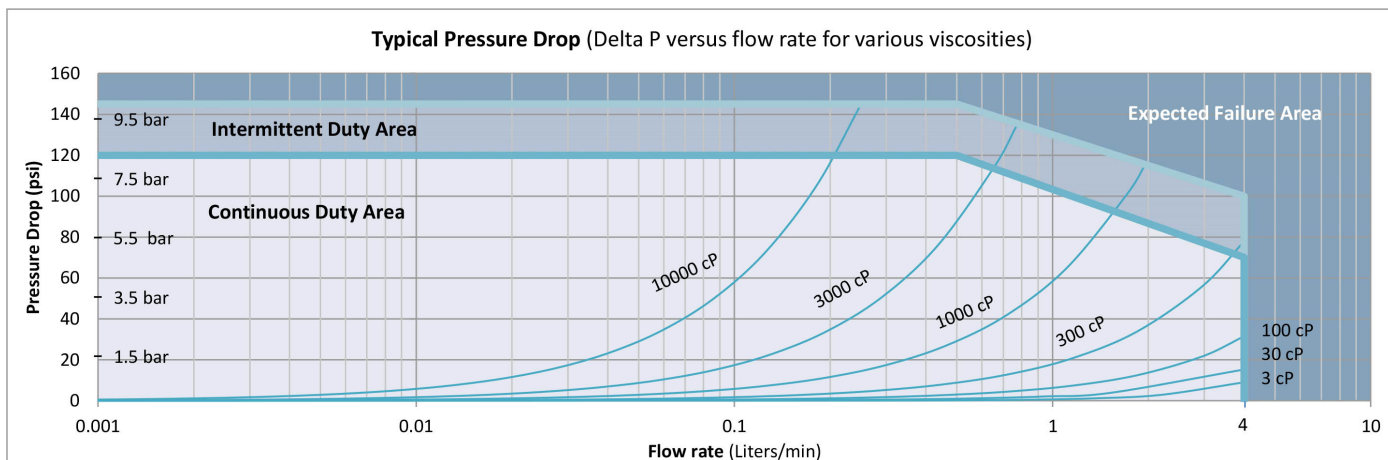
External	Stainless steel, type 316
Wetted	Stainless steel, type 316, 440C, 17-4
O-Rings	Standard: Viton® Optional: Teflon®, Perfluoroelastomer



FREQUENCY TRANSMITTER

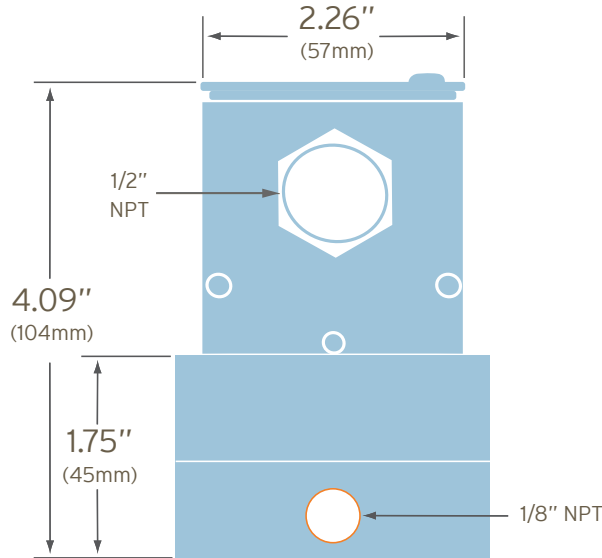
Output Signal	Standard: 5 Vdc, single phase Optional: Quadrature 5 Vdc, two phase Current sinking, 20 mA max., single phase
K-Factor	Single Phase: 500 pulses/cc Two Phase: 1,000 pulses/cc, 4x decoded (250 pulses/cc/phase, 1x decoded)
Power Supply Requirements	5 - 26 Vdc, @ 30 mA
Ambient Operational Range	-40°C to 75°C, Single piece – Two piece to 110°C
Metered Liquid Temp Range (based on 20° ambient)	-40°C to 75°C, Standard model -40°C to 130°C, Two piece high temperature model

Compliance CE Certified, Ex-proof version with ATEX/IECEX II 2 G Ex db IIB Tx Gb as well as UL, cUL certification for Class 1, Division 1, Groups C and D, Tx

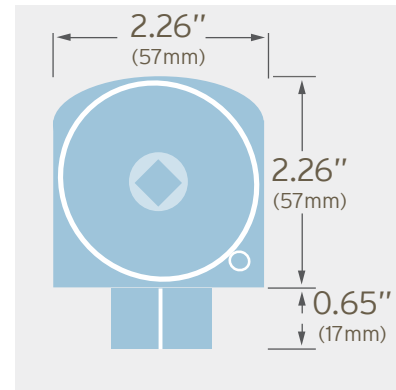


Model G004HZ Flow Meter (Frequency)

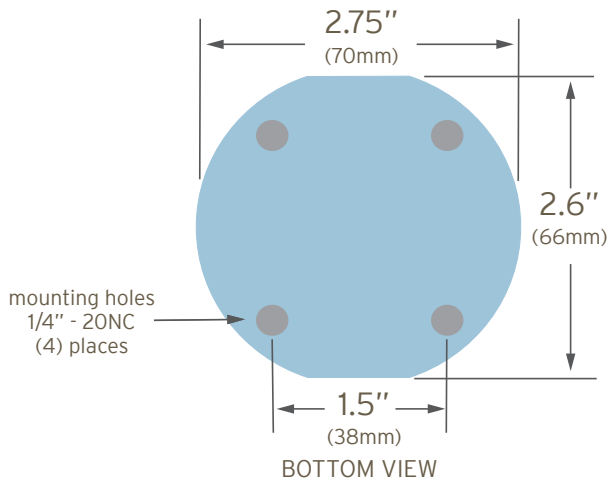
CONNECTIVITY/DIMENSIONS (Not to scale)



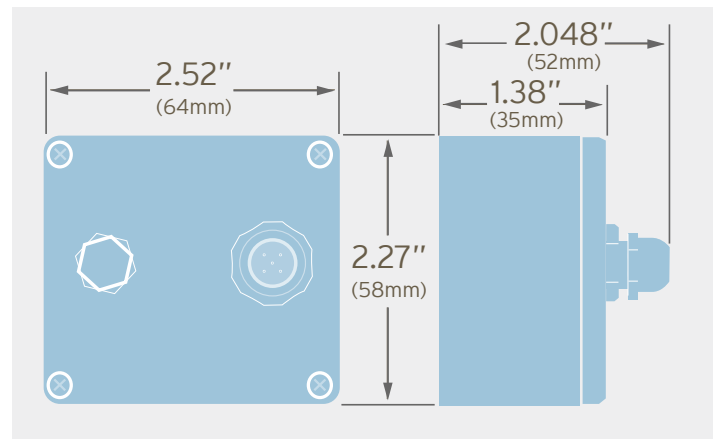
MODEL G004HZ WITH EX-PROOF HOUSING TRANSMITTER



EX-PROOF HOUSING TOP VIEW



BOTTOM VIEW



REMOTE PCA ENCLOSURE FOR HIGH TEMPERATURE TRANSMITTERS
(2 meter interconnect cable, not shown)

ELECTRICAL CONNECTION – ANALOG TRANSMITTERS

Pulse Output Wiring	Pulse PCB Label	Analog Output Wiring	Analog PCB Label	Wiring Adaptor Pin #	Two Part Transmitter Wiring	
					Ex-Proof Sender (Example: EX29x-051-000)	Remote Receiver (Example: EX296-x8x-xxx)
Power *	V+	Power	V+	1	Case	Case
Common	Com	Common	Com	2	5V	5V
Signal Output	PhA	Signal Output (+)	Sig	3	Ra	Ra
(Quad only)	PhB	Signal Output (-)	Ret	4	Rb	Rb
Case Ground	Case	Case Ground	Case	5	Com	Com

For reference only. See Installation Instructions - Hazardous Locations document EXInstallEnglish• Rev3 • © 11/1/2016

* Please specify 12Vdc or 24Vdc operation



Max Machinery, Inc.
an ISO 9001:2015 certified company

Positive Displacement Flow Meters

Gear Type, G-Series, 316 Stainless Steel

Flow Meter Selections Transmitter Selections

Model # HZ 1 NA / 2 / 1 - Non-Standard Options

Bi-Directional Cal: BID

1 Transmitter Type

Max Flow Range

4 Liters/Min G004
15 Liters/Min G015
45 Liters/Min G045

Pressure

6000 psi (414 bar) HZ

Fluid Connection

NPT 1

Seal Selection

Viton® - FKM 1
Teflon® - PTFE*** 3
Perfluoroelastomer - FFKM 5

Options

None NA

Output Type

A 4-20mA Output - Powered by 24 Vdc
A 4-20mA Output - Powered by 12 Vdc
A 0-10 Volt Output - Powered by 24 Vdc
A 0-10 Volt Output - Powered by 12 Vdc
P 5V Pulse/Freq. - Powered by 5-26 Vdc
Q 5V Quadrature - Powered by 5-26 Vdc
P Current Sinking, Single Phase

Temperature Rating

1 75°C Haz-Loc
2 130°C Haz-Loc, 2 Part**

Electrical Connection

2 Hazardous Location, 1/2 Inch Conduit*

Signal Type

P Pulse
A Analog
Q Quadrature

- * See temp chart in product manual.
- ** Receiver portion of 2 part transmitters are not rated Ex-Proof, consult factory.
- *** Teflon® not used above 90°C for this high pressure rated product.

Product includes single directional calibration, bi-directional calibrations for analog and quadrature devices are optional.



Model G045HZ