

## Model G045HZ Gear Flow Meter (Analog) 25 cc/min to 45 liters/min

### SPECIFICATIONS

|                            |  |
|----------------------------|--|
| Flow Range                 | 25 cc/min to 45 liters/min   |
| Accuracy (at 30 cP)        | ± 0.3% of reading over a 100:1 range, or<br>± 2mV (or 4µA), whichever is greater |
| Maximum Operating Pressure | 6000 psi (414 bar)   |
| Weight                     | 3.7 kg   |
| Recommended Filtration     | 30 micron  |
| Port Size(s)               | 1/2" NPT   |
| Fluids                     | Most non-aqueous, hydrocarbon based fluids                                       |

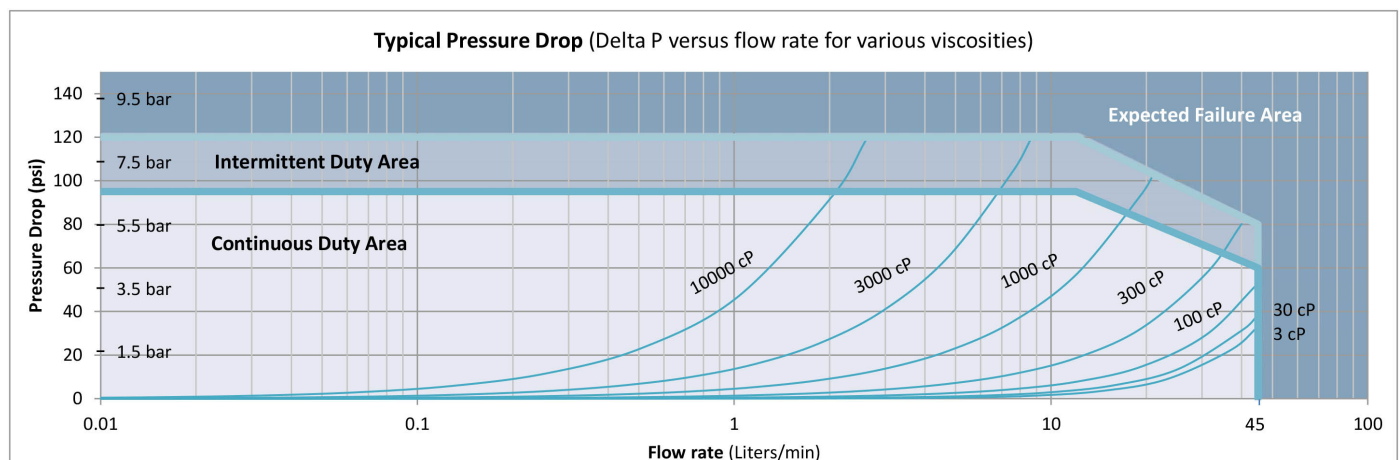


### MATERIALS OF CONSTRUCTION

|          |   |
|----------|---|
| External | Stainless steel, type 316                                 |
| Wetted   | Stainless steel, type 316, 440C, 17-4                     |
| O-Rings  | Standard: Viton®<br>Optional: Teflon®, Perfluoroelastomer |

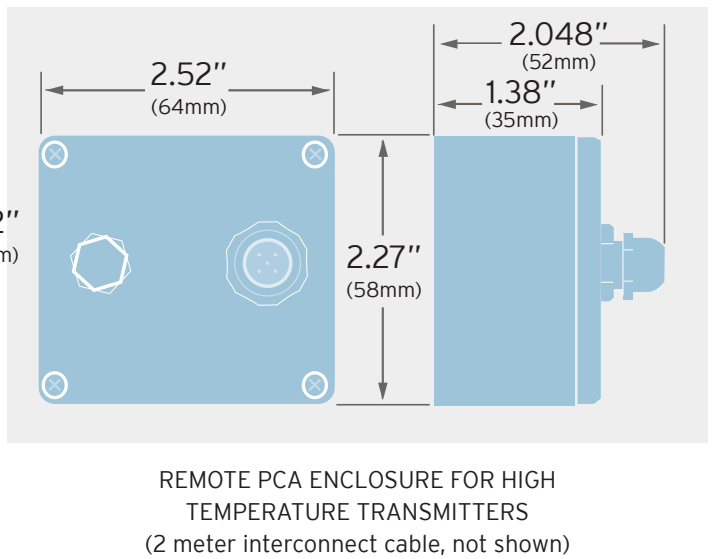
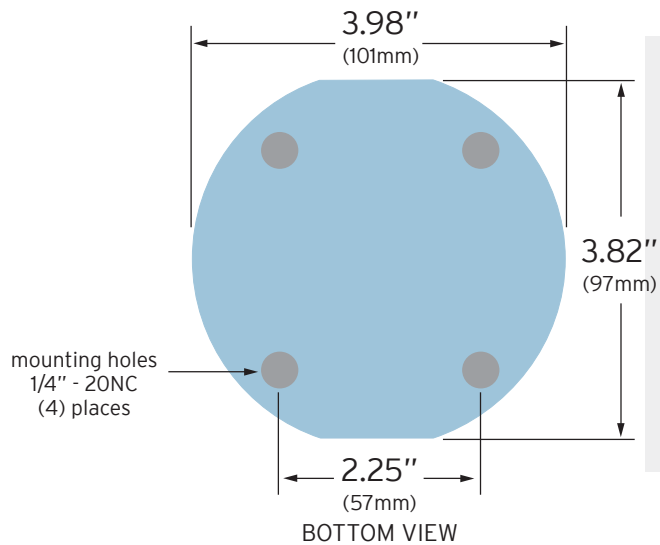
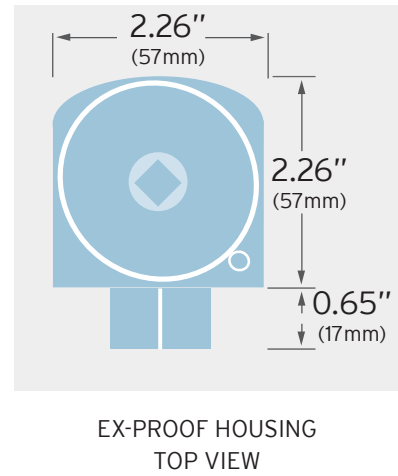
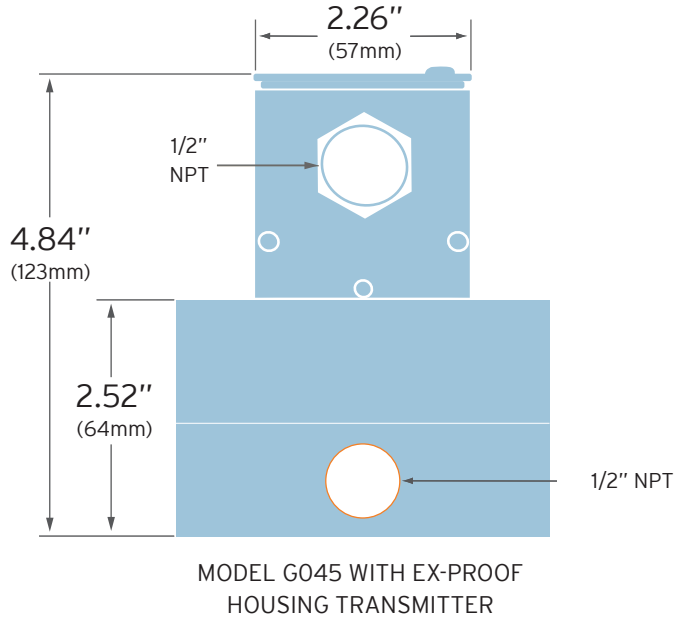
### ANALOG TRANSMITTER

|   |  |
|---|--|
| Output Signal                                       | Any range of ± 10V or ± 20mA Linearized and damped with anti-dither protection.  |
| Power Supply Requirements                           | Two Models: 12Vdc @ 90 mA, 24Vdc @ 45 mA   |
| Ambient Operational Range                           | -40°C to 75°C, Single piece – Two piece to 110°C   |
| Metered Liquid Temp Range<br>(based on 20° ambient) | -40°C to 75°C, Standard model<br>-40°C to 130°C, Two piece high temperature model  |
| Compliance  | CE Certified, Ex-proof version with ATEX/IECEX II 2 G Ex db IIB Tx Gb as well as UL, cUL certification for Class 1, Division 1, Groups C and D, Tx |



# Model G045HZ Flow Meter (Analog)

CONNECTIVITY/DIMENSIONS (Not to scale)



## ELECTRICAL CONNECTION – ANALOG TRANSMITTERS

| Pulse Output Wiring | Pulse PCB Label | Analog Output Wiring | Analog PCB Label | Wiring Adaptor Pin # | Two Part Transmitter Wiring                 |   |
|---------------------|-----------------|----------------------|------------------|----------------------|---|---|
|                     |                 |                      |                  |                      | Ex-Proof Sender<br>(Example: EX29x-051-000) | Remote Receiver<br>(Example: EX296-x8x-xxx) |
| Power *             | V+              | Power                | V+               | 1                    | Case  | Case  |
| Common              | Com             | Common               | Com              | 2                    | 5V  | 5V  |
| Signal Output       | PhA             | Signal Output (+)    | Sig              | 3                    | Ra  | Ra  |
| (Quad only)         | PhB             | Signal Output (-)    | Ret              | 4                    | Rb  | Rb  |
| Case Ground         | Case            | Case Ground          | Case             | 5                    | Com   | Com   |

For reference only. See Installation Instructions - Hazardous Locations document EXInstallEnglish • Rev3 • © 11/1/2016

\* Please specify 12Vdc or 24Vdc operation



Max Machinery, Inc.  
an ISO 9001:2015 certified company

# Positive Displacement Flow Meters

## Gear Type, G-Series, 316 Stainless Steel

Flow Meter Selections      Transmitter Selections

Model #  HZ 1  NA /  2  / 1 -  Non-Standard Options

Bi-Directional Cal: BID

1 Transmitter Type

### Max Flow Range

4 Liters/Min    G004  
15 Liters/Min   G015  
45 Liters/Min   G045

A  
A  
A  
A  
P  
Q  
P

### Output Type

A 4-20mA Output - Powered by 24 Vdc  
B 4-20mA Output - Powered by 12 Vdc  
C 0-10 Volt Output - Powered by 24 Vdc  
D 0-10 Volt Output - Powered by 12 Vdc  
N 5V Pulse/Freq. - Powered by 5-26 Vdc  
N 5V Quadrature - Powered by 5-26 Vdc  
S Current Sinking, Single Phase

### Pressure

6000 psi (414 bar)    HZ

### Temperature Rating

1 75°C Haz-Loc  
2 130°C Haz-Loc, 2 Part\*\*

### Fluid Connection

NPT 1

### Electrical Connection

2 Hazardous Location, 1/2 Inch Conduit\*

### Seal Selection

Viton® - FKM 1  
Teflon® - PTFE\*\*\* 3  
Perfluoroelastomer - FFKM 5

### Signal Type

P Pulse  
A Analog  
Q Quadrature

### Options

None NA

- \* See temp chart in product manual.
- \*\* Receiver portion of 2 part transmitters are not rated Ex-Proof, consult factory.
- \*\*\* Teflon® not used above 90°C for this high pressure rated product.

Product includes single directional calibration, bi-directional calibrations for analog and quadrature devices are optional.



Model G045HZ