

Model G105 Gear Flow Meter (Frequency) 75 cc/min to 105 liters/min

SPECIFICATIONS

| | |
|----------------------------|--|
| Flow Range | 75 cc/min to 105 liters/min |
| Accuracy (at 30 cP) | ± 0.3% of reading over a 100:1 range |
| Maximum Operating Pressure | 6000 psi (414 bar) |
| Weight | 7.7 kg |
| Recommended Filtration | 30 micron |
| Port Size(s) | 3/4" NPT or #10 SAE |
| Fluids | Most non-aqueous, hydrocarbon based fluids |

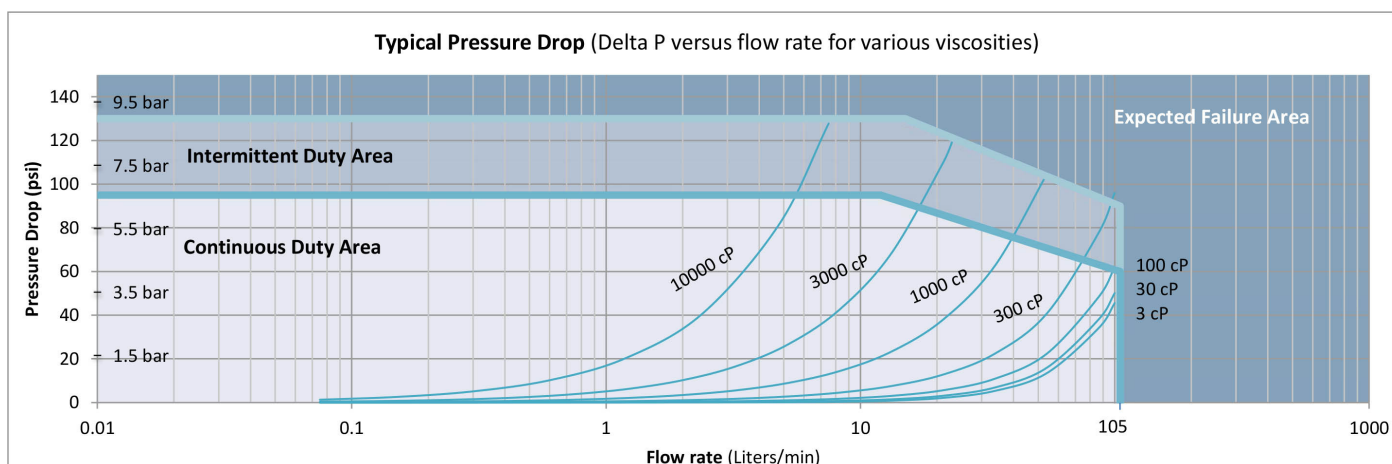


MATERIALS OF CONSTRUCTION

| | |
|----------|---|
| External | Stainless steel, type 303 |
| Wetted | Stainless steel, type 303, 440C, 17-4 |
| O-Rings | Standard, Viton® Optional: Teflon®, Perfluoroelastomer |

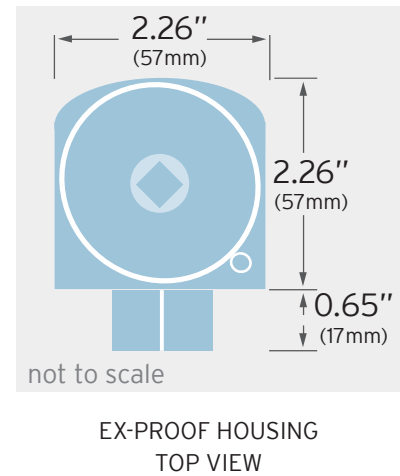
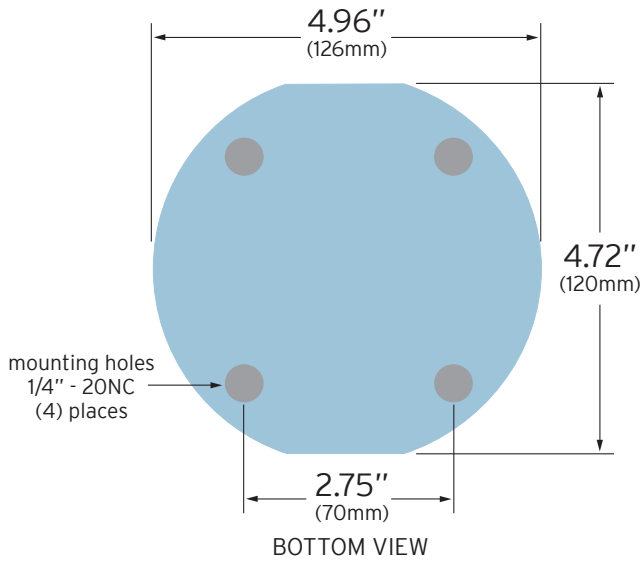
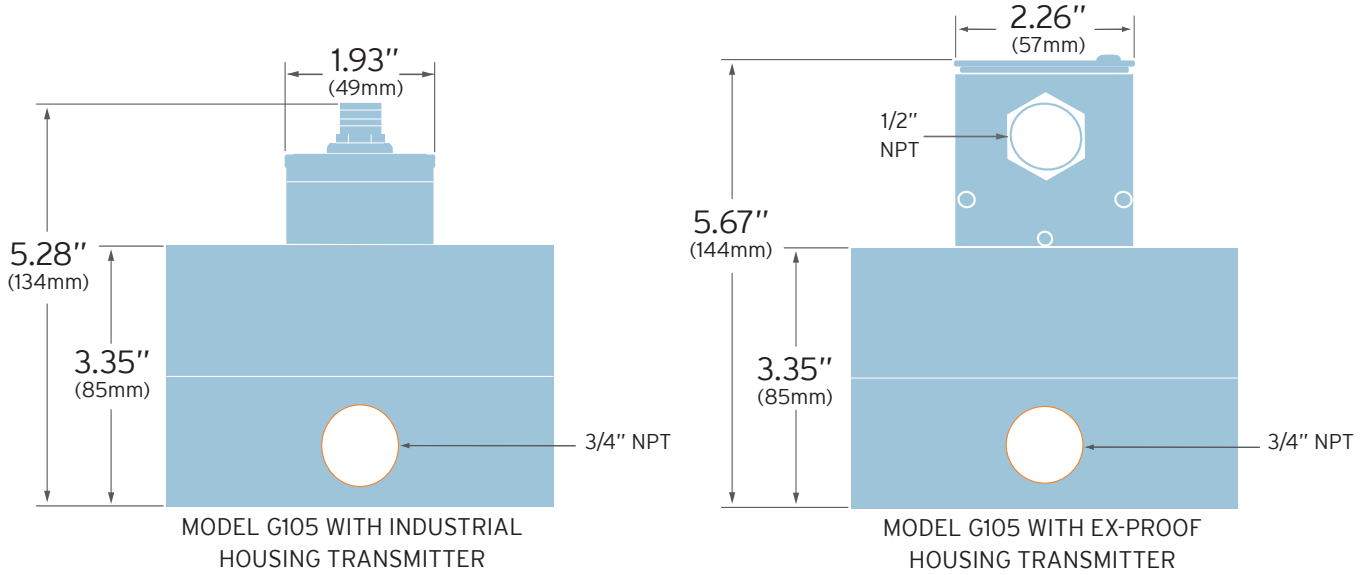
FREQUENCY TRANSMITTER

| | |
|---|--|
| Output Signal | Standard: 5 Vdc, single phase Optional: Quadrature 5 Vdc, two phase Current sinking, 20 mA max., single phase |
| K-Factor | Single Phase: 25 pulses/cc Two Phase: 50 pulses/cc, 4x decoded (12.5 pulses/cc/phase, 1x decoded) |
| Power Supply Requirements | 5 - 26 Vdc, @ 30 mA |
| Ambient Operational Range | -40°C to 80°C, Single piece – Two piece to 110°C |
| Metered Liquid Temp Range (based on 20° ambient) | -40°C to 90°C, Standard model -40°C to 155°C, Two piece high temperature model -40°C to 225°C, Two piece, ultra high temperature model |
| Compliance | CE Certified, Ex-proof version available with ATEX/IECEx II 2 G Ex db IIB Tx Gb as well as UL, cUL certification for Class 1, Division 1, Groups C and D, Tx |



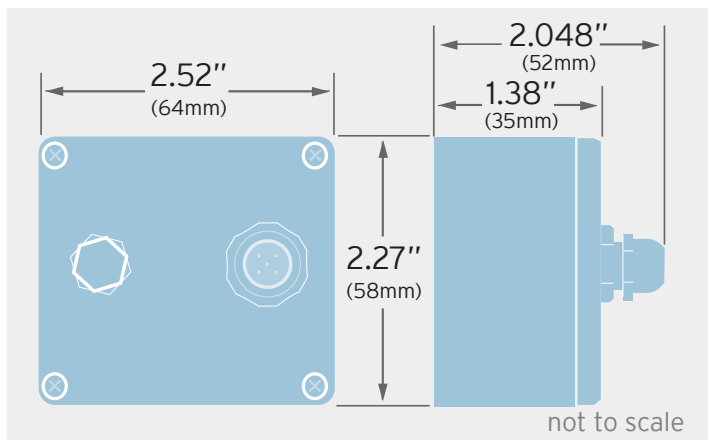
Model G105 Flow Meter (Frequency)

CONNECTIVITY/DIMENSIONS



ELECTRICAL CONNECTION - FREQUENCY TRANSMITTERS

| | Turck® Connector | | |
|----------------------------|------------------|-------|-------------------------|
| | PCA Label | Pin # | Mating Cable Wire Color |
| Power (+5 to 26 Vdc) | V+ | 1 | Brown |
| Common | Com | 4 | Black |
| Pulse Output | Ph A | 2 | White |
| Output Phase B (Quad only) | Ph B | 5 | Grey |
| Case Ground | Case | 3 | Blue |



REMOTE PCA ENCLOSURE FOR HIGH TEMPERATURE TRANSMITTERS
(2 meter interconnect cable, not shown)

Positive Displacement Flow Meters Gear Type, G-Series

Flow Meter Selections Transmitter Selections

Model # HS / / 1 - Non-Standard Options

Bi-Directional Cal: BID

1 Transmitter Type

Max Flow Range

| | |
|----------------|------|
| 4 Liters/Min | G004 |
| 15 Liters/Min | G015 |
| 45 Liters/Min | G045 |
| 105 Liters/Min | G105 |
| 240 Liters/Min | G240 |

Pressure

6000 psi (414 bar) HS

Note: G240 limited to 4000 psi (240 bar)
if specified with NPT connections

Fluid Connection

| | |
|-----|---|
| NPT | 1 |
| SAE | 2 |

Seal Selection

| | |
|---------------------------|---|
| Viton® - FKM | 1 |
| Teflon® - PTFE*** | 3 |
| Perfluoroelastomer - FFKM | 5 |

Options

| | |
|-------------------|----|
| None | NA |
| Heat Trace Option | HT |

Output Type

| | | |
|---|---|--------------------------------------|
| A | A | 4-20mA Output - Powered by 24 Vdc |
| A | B | 4-20mA Output - Powered by 12 Vdc |
| A | C | 0-10 Volt Output - Powered by 24 Vdc |
| A | D | 0-10 Volt Output - Powered by 12 Vdc |
| P | N | 5V Pulse/Freq. - Powered by 5-26 Vdc |
| Q | N | 5V Quadrature - Powered by 5-26 Vdc |
| P | S | Current Sinking, Single Phase |

Temperature Rating

- 90°C Industrial / 75°C Haz-Loc
- 155°C Ind. / 130°C Haz-Loc, 2 Part **
- 225°C Industrial, 2 Part †

Electrical Connection

- Industrial, Turck® Connector
- Hazardous Location, 1/2 Inch Conduit*

Signal Type

| | |
|---|------------|
| P | Pulse |
| A | Analog |
| Q | Quadrature |

* See temp chart in product manual.

** Receiver portion of 2 part transmitters are not rated Ex-Proof, consult factory.

*** Teflon® not used above 90°C for this high pressure rated product.

† Not available for hazardous location use. (Exceeds 130°C temp. limit.)

Product includes single directional calibration, bi-directional calibrations for analog and quadrature devices are optional.



Model G015