

## Model H241 Helical Flow Meter 100 cc/min to 189 liters/min

### SPECIFICATIONS

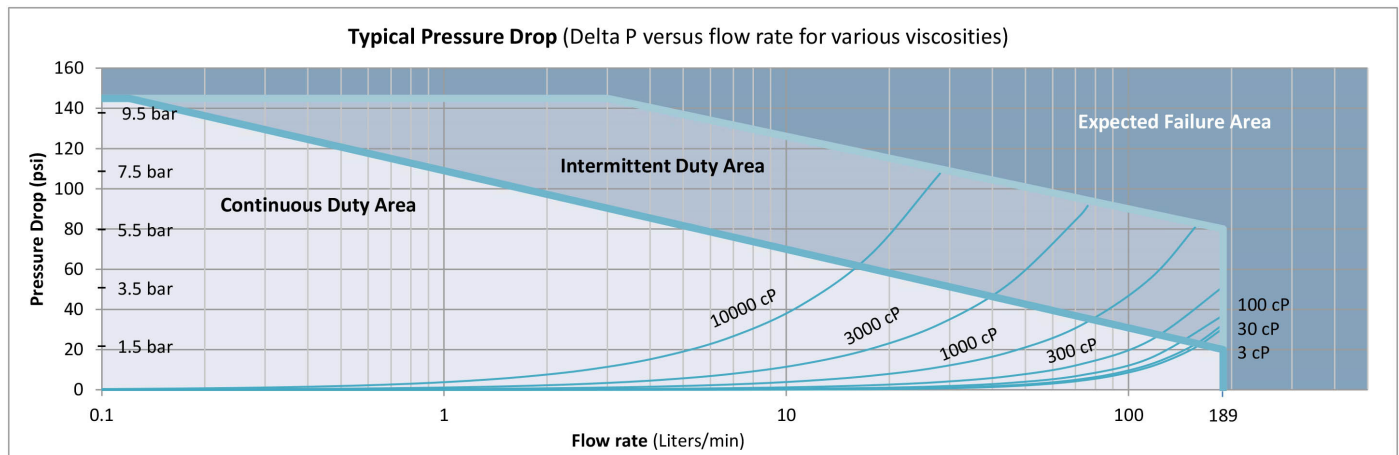
Flow Range	100 cc/min to 189 liters/min
Accuracy (at 30 cP)	± 0.2% of reading over a 50:1 range
Maximum Operating Pressure	500 psi (35 bar) - NPT Only 3500 psi (240 bar) - ANSI Flange Only
Weight	14 kg
Recommended Filtration	150 micron
Port Size(s)	1 1/2" NPT 1 1/2" (DN 40) ANSI RF Flanges - Customer Supplied
Fluids	Most non-aqueous, hydrocarbon based liquids
Options	Liquid heat trace bodies available



Model H241

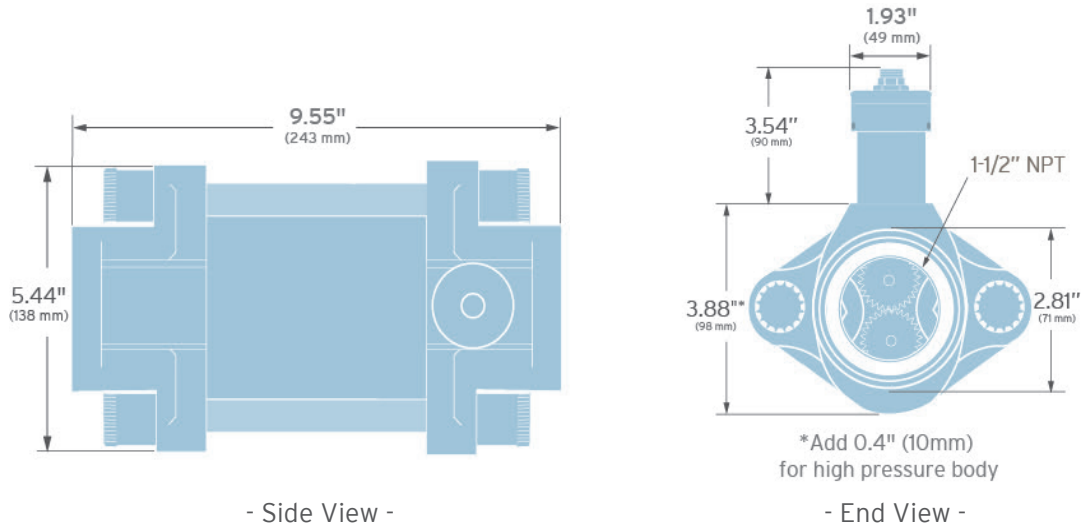
### MATERIALS OF CONSTRUCTION

External	Stainless steel, type 303
Wetted	Stainless steel, type 303, 440C
O-rings	Standard: Viton® Optional: Teflon®, Perfluoroelastomer



# Model H241 Flow Meter

## CONNECTIVITY/DIMENSIONS



- Side View -

- End View -

## TRANSMITTER OPTIONS



Ex Proof Housing

### Frequency

**Output:** 5 Vdc, Single Phase  
Optional: Current Sinking, 20 mA max.  
**K-Factor:** 5000 pulses/liter  
**Temperature Rating:** Standard: 90°C ; Two Piece Ultra High Temp: 225 °C

### Quadrature

**Output:** 5 Vdc, Two Phase  
**K-Factor:** 2500 pulses/liter/phase  
**Temperature Rating:** Standard: 90°C ; Two Piece Ultra High Temp: 225 °C



Industrial Housing

### Voltage

**Output:** 0-10 Vdc  
**Resolution:** Uni or Bi-Directional  
**Temperature Rating:** Standard: 90°C ; Two Piece Ultra High Temp: 225 °C

### Current

**Output:** 0-20 mA  
**Resolution:** Uni or Bi-Directional  
**Temperature Rating:** Standard: 90°C ; Two Piece Ultra High Temp: 225 °C

**Compliance:** CE Certified, Ex-proof version available with ATEX/IECEx II 2 G Ex db IIB Tx Gb as well as UL, cUL certification for Class 1, Division 1, Groups C and D, Tx

**Maximum temperature rating for ATEX certified transmitters is 130°C**



Max Machinery, Inc.  
an ISO 9001:2015 certified company

# Positive Displacement Flow Meters

## Helical Rotor Type, H-Series

Flow Meter Selections      Transmitter Selections

Model #      /     /  -  Non-Standard Options

Bi-Directional Cal: BID

0 Transmitter Type

### Max Flow Range

189 Liters/Min	H241	LS	1
189 Liters/Min	H241	MS	5
500 Liters/Min	H242	LS	1
500 Liters/Min	H242	MS	5

### Output Type

A	A	4-20mA Output - Powered by 24 Vdc
A	B	4-20mA Output - Powered by 12 Vdc
A	C	0-10 Volt Output - Powered by 24 Vdc
A	D	0-10 Volt Output - Powered by 12 Vdc
P	N	5V Pulse - Powered by 5-26 Vdc
Q	N	5V Quadrature - Powered by 5-26 Vdc
P	S	Current Sinking, Single Phase

### Pressure

500 psi (35 bar)	LS
3500 psi (245 bar)	MS

Includes Flange Bolt Kit (see below)

### Temperature Rating

1	90°C Industrial / 75°C Haz-Loc
2	130°C Haz-Loc Only, 2 Part **
3	225°C Industrial, 2 Part †

### Fluid Connection

NPT	1
Wafer-Mounted Between Customer's Flanges	5

### Electrical Connection

1	Industrial, Turck® Connector
2	Hazardous Location, 1/2 Inch Conduit*

### Seal Selection

Viton® - FKM	1
Teflon® - PTFE	3
Perfluoroelastomer - FFKM	5

### Signal Type

P	Pulse
A	Analog
Q	Quadrature

### Options

None	NA
Heat Trace Option	HT

### Flange Bolt Kit Details

Model H241 Bolts	3500 psi Bolt Kit for 2500 lb. ANSI Flanges
Model H242 Bolts	3500 psi Bolt Kit for 1500 lb. ANSI Flanges

\* See temp chart in product manual.

\*\* Receiver portion of 2 part transmitters are not rated Ex-Proof, consult factory.

† Not available for hazardous location use. (Exceeds 130°C temp. limit.)

Product includes single directional calibration; bi-directional calibrations for Analog and Quadrature devices are optional.

ANSI Flanges supplied by customer.