

Model H242 Helical Flow Meter

1 liter/min to 500 liters/min

SPECIFICATIONS

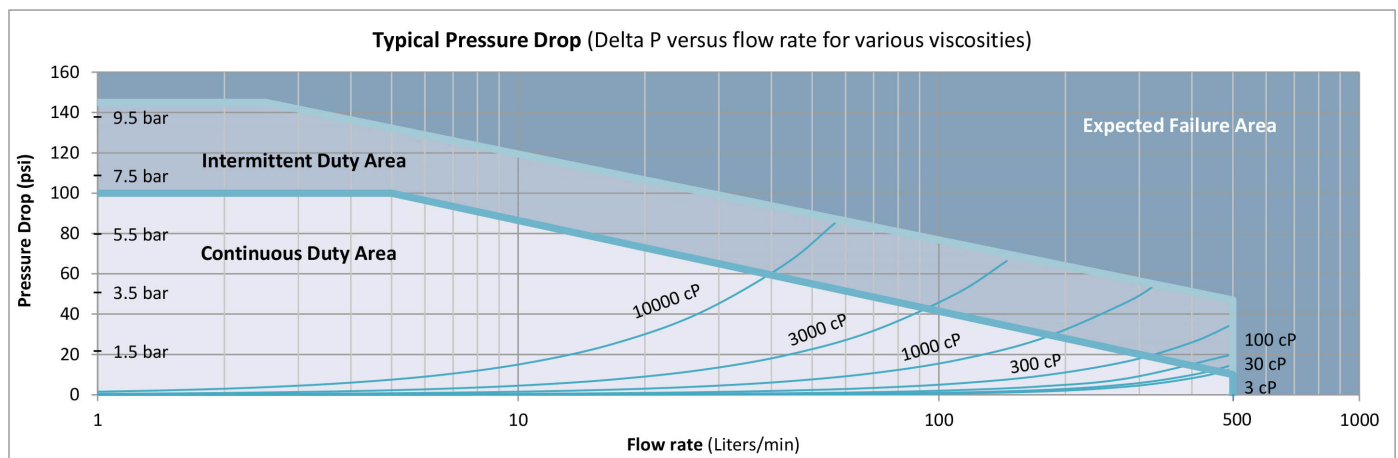
Flow Range	1 liter/min to 500 liters/min
Accuracy (at 30 cP)	± 0.2% of reading over a 50:1 range
Maximum Operating Pressure	500 psi (35 bar) - NPT Only 3500 psi (240 bar) - ANSI Flange Only
Weight	18.5 kg
Recommended Filtration	150 micron
Port Size(s)	2 1/2" NPT 2 1/2" (DN 65) ANSI RF flanges - Customer Supplied
Fluids	Most non-aqueous, hydrocarbon based liquids
Options	Liquid heat trace bodies available



Model H242

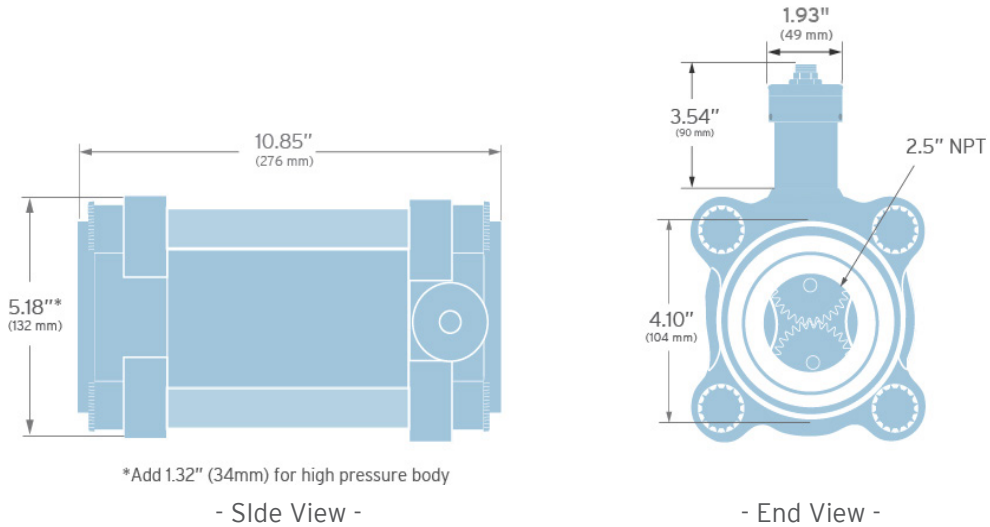
MATERIALS OF CONSTRUCTION

External	Stainless steel, type 303
Wetted	Stainless steel, type 303, 440C
O-Rings	Standard: Viton® Optional: Teflon®, Perfluoroelastomer



Model H242 Flow Meter

CONNECTIVITY/DIMENSIONS



TRANSMITTER OPTIONS



Ex Proof Housing

Frequency

Output: 5 Vdc, Single Phase
Optional: Current Sinking, 20 mA max.

K-Factor: 5000 pulses/liter

Temperature Rating: Standard: 90°C ; Two Piece Ultra High Temp: 225 °C

Quadrature

Output: 5 Vdc, Two Phase

K-Factor: 2500 pulses/liter/phase

Temperature Rating: Standard: 90°C ; Two Piece Ultra High Temp: 225 °C

Voltage

Output: 0-10 Vdc

Resolution: Uni or Bi-Directional

Temperature Rating: Standard: 90°C ; Two Piece Ultra High Temp: 225 °C

Current

Output: 0-20 mA

Resolution: Uni or Bi-Directional

Temperature Rating: Standard: 90°C ; Two Piece Ultra High Temp: 225 °C



Industrial Housing

Compliance: CE Certified, Ex-proof version available with ATEX/IECEx II 2 G Ex db IIB Tx Gb as well as UL, cUL certification for Class 1, Division 1, Groups C and D, Tx

Maximum temperature rating for ATEX certified transmitters is 130°C



Max Machinery, Inc.
an ISO 9001:2015 certified company

Positive Displacement Flow Meters

Helical Rotor Type, H-Series

Flow Meter Selections Transmitter Selections

Model # / / - Non-Standard Options

Bi-Directional Cal: BID

0 Transmitter Type

Max Flow Range

189 Liters/Min	H241	LS	1
189 Liters/Min	H241	MS	5
500 Liters/Min	H242	LS	1
500 Liters/Min	H242	MS	5

Output Type

A	A	4-20mA Output - Powered by 24 Vdc
A	B	4-20mA Output - Powered by 12 Vdc
A	C	0-10 Volt Output - Powered by 24 Vdc
A	D	0-10 Volt Output - Powered by 12 Vdc
P	N	5V Pulse - Powered by 5-26 Vdc
Q	N	5V Quadrature - Powered by 5-26 Vdc
P	S	Current Sinking, Single Phase

Pressure

500 psi (35 bar)	LS
3500 psi (245 bar)	MS

Includes Flange Bolt Kit (see below)

Temperature Rating

1	90°C Industrial / 75°C Haz-Loc
2	130°C Haz-Loc Only, 2 Part **
3	225°C Industrial, 2 Part †

Fluid Connection

NPT	1
Wafer-Mounted Between Customer's Flanges	5

Electrical Connection

1	Industrial, Turck® Connector
2	Hazardous Location, 1/2 Inch Conduit*

Seal Selection

Viton® - FKM	1
Teflon® - PTFE	3
Perfluoroelastomer - FFKM	5

Signal Type

P	Pulse
A	Analog
Q	Quadrature

Options

None	NA
Heat Trace Option	HT

Flange Bolt Kit Details

Model H241 Bolts	3500 psi Bolt Kit for 2500 lb. ANSI Flanges
Model H242 Bolts	3500 psi Bolt Kit for 1500 lb. ANSI Flanges

* See temp chart in product manual.

** Receiver portion of 2 part transmitters are not rated Ex-Proof, consult factory.

† Not available for hazardous location use. (Exceeds 130°C temp. limit.)

Product includes single directional calibration; bi-directional calibrations for Analog and Quadrature devices are optional.

ANSI Flanges supplied by customer.