

## Model P001 Piston Flow Meter (Frequency) 0.005 to 200 cc/min

### SPECIFICATIONS

Flow Range	0.005 to 200 cc/min – dependent on viscosity
Accuracy (3 cP)	± 0.2% of reading over a 200:1 range
Maximum Operating Pressure	7250 psi (500 bar)
Weight	1.1 kg
Recommended Filtration	5 micron
Port Size(s)	1/4" or 6mm tube fitting
Fluids	Most non-aqueous, hydrocarbon based fluids

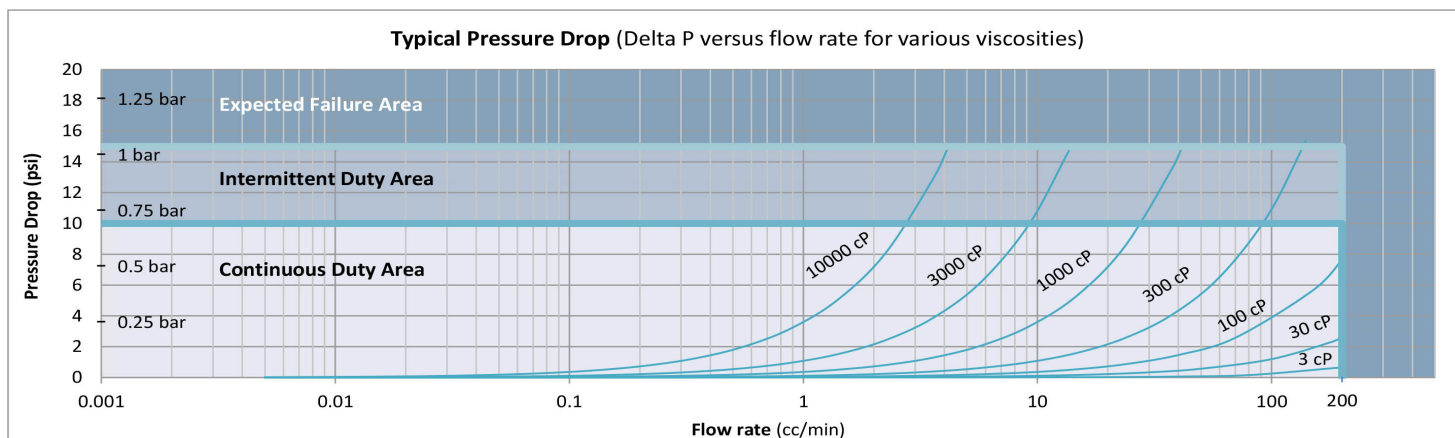
### MATERIALS OF CONSTRUCTION

External	Stainless steel, type 316
Wetted	Stainless steel, type 316,440C; Silicon Nitride; Nickel based carbide
O-Rings	Standard: Viton® Optional: Perfluoroelastomer

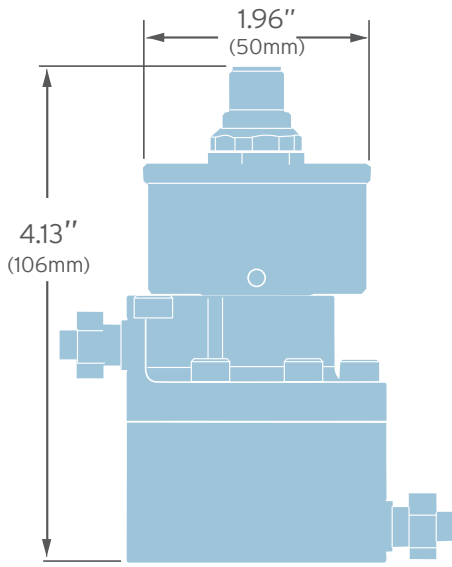


### FREQUENCY TRANSMITTER

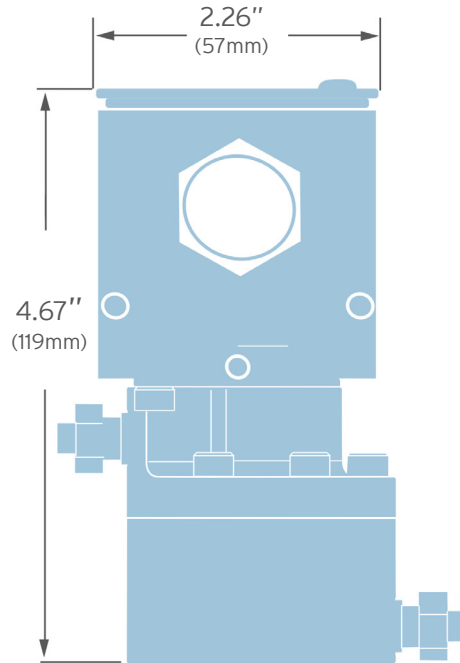
Output Signal	Standard: 5 Vdc, single phase Optional: Quadrature 5 Vdc, two phase Current sinking, 20 mA max., single phase
K-Factor	Single Phase: 12,000 pulses/cc Two Phase: 24,000 pulses/cc, 4x decoded (6,000 pulses/cc/phase, 1x decoded)
Power Supply Requirements	5-26 Vdc @ 30ma
Ambient Operational Range	-40°C to 80°C, Single piece – Two piece to 110°C
Metered Liquid Temp Range (based on 20° ambient)	-40°C to 90°C, Standard model -40°C to 155°C, Two piece high temperature model -40°C to 225°C, Two piece, ultra high temperature model
Compliance	CE Certified, Ex-proof version available with ATEX/IECEx II 2 G Ex db IIB Tx Gb as well as UL, cUL certification for Class 1, Division 1, Groups C and D, Tx



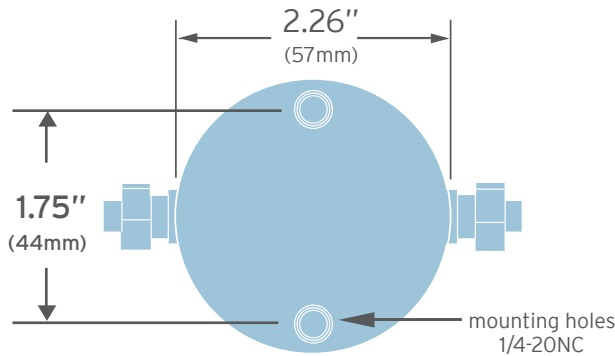
# Model P001 Piston Flow Meter (Frequency)



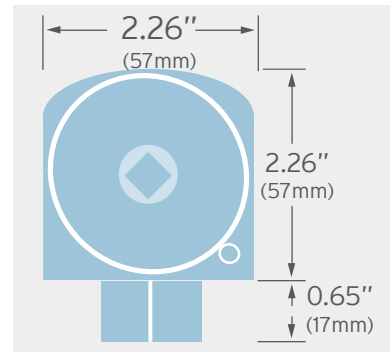
Model P001 meter with industrial transmitter



Model P001 meter with Explosion Proof transmitter



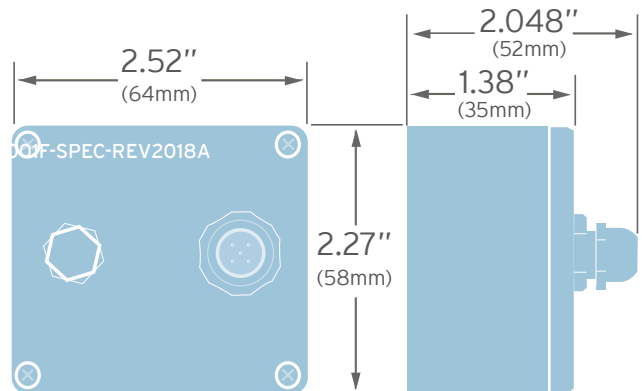
Bottom View



Top View of Explosion Proof Enclosure

## ELECTRICAL CONNECTION - FREQUENCY TRANSMITTERS

	Turck® Connector		
	PCA Label	Pin #	Mating Cable Wire Color
Power (+5 to 26 Vdc)	V+	1	Brown
Common	Com	4	Black
Pulse Output	Ph A	2	White
Output Phase B (Quad only)	Ph B	5	Grey
Case Ground	Case	3	Blue



REMOTE PCA ENCLOSURE FOR HIGH TEMPERATURE TRANSMITTERS  
(2 meter interconnect cable, not shown)



Max Machinery, Inc.  
an ISO 9001:2015 certified company

# Positive Displacement Flow Meters

## Piston Type, P-Series 7250 psi (500 bar) rated

### Flow Meter Selections

Model #  HS    /

### Transmitter Selections

/  -

Non-Standard Options

Bi-Directional Cal: BID

1 Transmitter Type

#### Max Flow Range

0.2 Liters/Min P001  
2 Liters/Min P002

A  
A  
A  
A  
P  
Q  
P

#### Output Type

A 4-20mA Output - Powered by 24 Vdc  
B 4-20mA Output - Powered by 12 Vdc  
C 0-10 Volt Output - Powered by 24 Vdc  
D 0-10 Volt Output - Powered by 12 Vdc  
N 5V Pulse/Freq. - Powered by 5-26 Vdc  
N 5V Quadrature - Powered by 5-26 Vdc  
S Current Sinking, Single Phase

#### Pressure

7250 psi (500 bar) HS

#### Temperature Rating

1 90°C Industrial, 75°C Haz-Loc  
2 155°C Ind./ 130°C Haz-Loc, 2 Part\*\*  
3 225°C -Industrial, 2 Part †

#### Fluid Connection

SAE 2  
1/4" and 6mm Tube 3

#### Electrical Connection

1 Industrial, Turck® Connector  
2 Hazardous Location, 1/2 Inch Conduit\*

#### Seal Selection

Viton® - FKM 1  
Perfluoroelastomer - FFKM 5

#### Signal Type

P Pulse  
A Analog  
Q Quadrature

#### Options

None NA



\* See temp chart in product manual.  
\*\* Receiver portion of 2 part transmitters are not rated Ex-Proof, consult factory.  
\*\*\* Teflon not used above 90°C for this high pressure rated product.  
† Not available for hazardous location use. (Exceeds 130°C temp. Limit.)  
Product includes single directional calibration, bi-directional calibrations for Analog and Quadrature devices are optional.