

## Model P002 Piston Flow Meter (Analog) 0.5 cc/min to 2000 cc/min

### SPECIFICATIONS

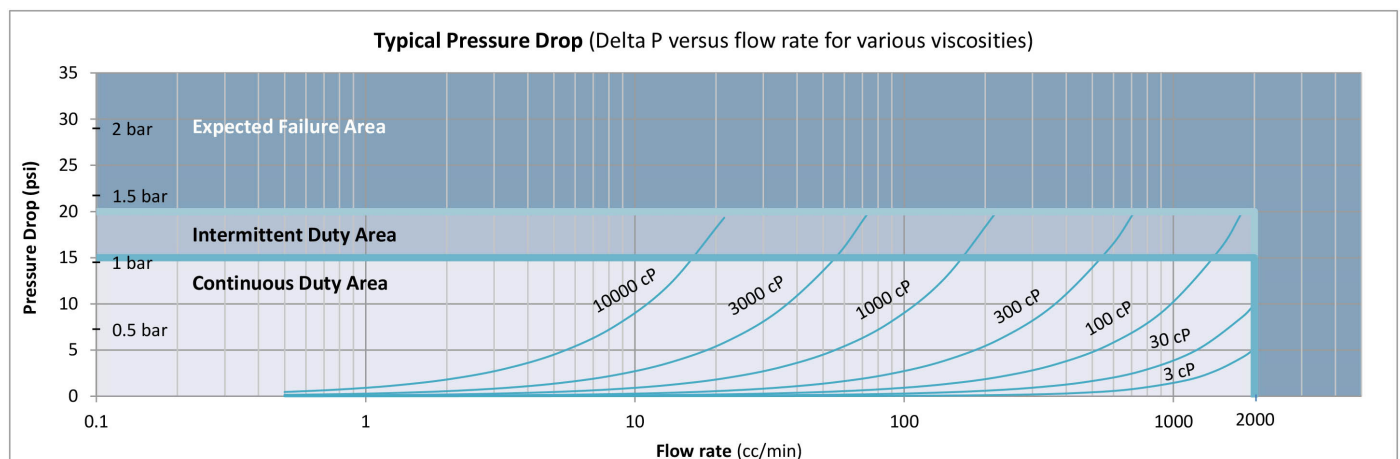
Flow Range	0.5 cc/min to 2000 cc/min
Accuracy (at 3 cP)	± 0.2% of reading over a 200:1 range, or ± 2mV (or 4µA), whichever is greater
Maximum Operating Pressure	7250 psi (500 bar)
Weight	1.9 kg
Recommended Filtration	10 micron
Port Size(s)	#4 SAE
Fluids	Most non-aqueous, hydrocarbon based fluids

### MATERIALS OF CONSTRUCTION

External	Stainless steel, type 303
Wetted	Stainless steel, type 303, 440C, 17-4
O-Rings	Standard: Viton® Optional: Perfluoroelastomer

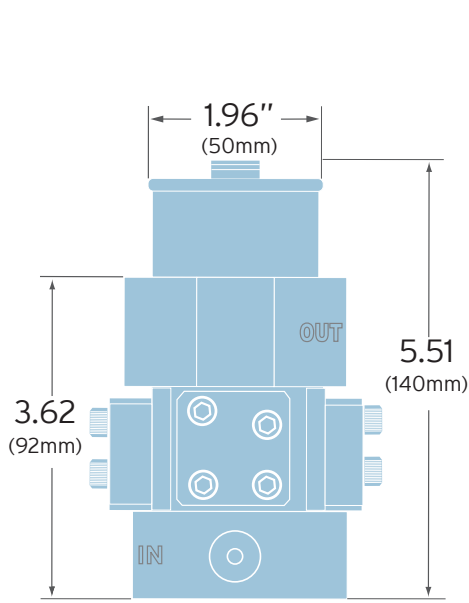
### ANALOG TRANSMITTER

Output Signal	Any range of ± 10V or ± 20mA Linearized and damped with anti-dither protection
Power Supply Requirements	Two Models: 12Vdc @ 90 mA, 24Vdc @ 45 mA
Ambient Operational Range	-40°C to 80°C, Single piece – Two piece to 110°C
Metered Liquid Temp Range (based on 20° ambient)	-40°C to 90°C, Standard model -40°C to 155°C, Two piece high temperature model -40°C to 225°C, Two piece, ultra high temperature model
Compliance	CE Certified, Ex-proof version available with ATEX/IECEX II 2 G Ex db IIB Tx Gb as well as UL, cUL certification for Class 1, Division 1, Groups C and D, Tx

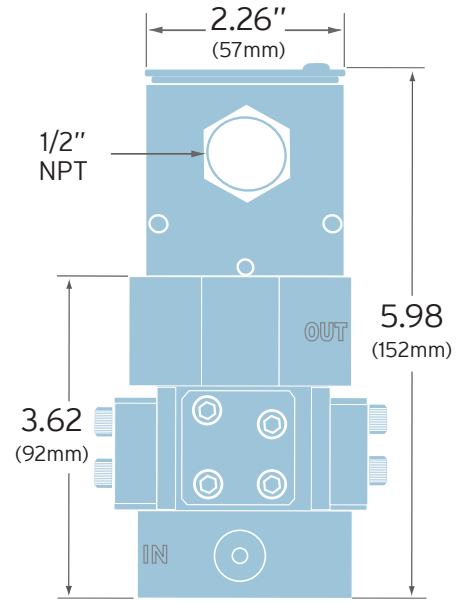


# Model P002 Flow Meter (Analog)

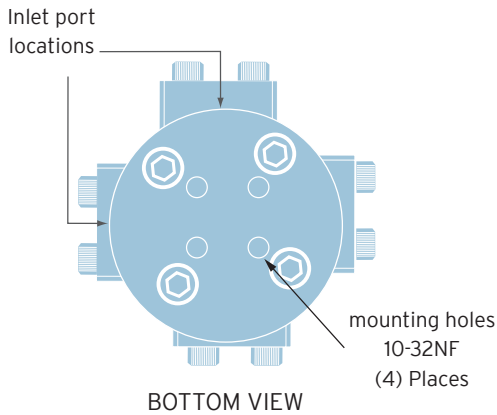
CONNECTIVITY/DIMENSIONS (Not to scale)



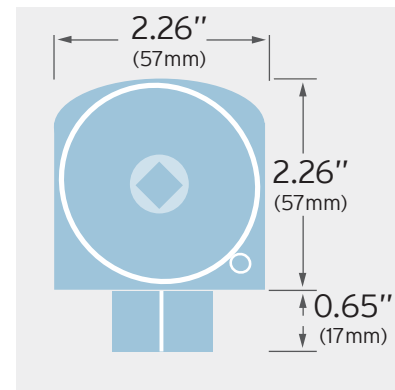
MODEL P002 WITH INDUSTRIAL HOUSING TRANSMITTER



MODEL P002 WITH EX-PROOF HOUSING TRANSMITTER



BOTTOM VIEW

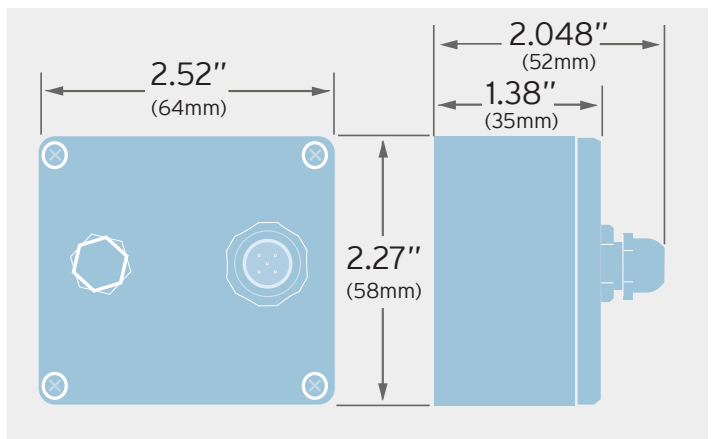


EX-PROOF HOUSING TOP VIEW

## ELECTRICAL CONNECTION – ANALOG TRANSMITTERS

	Turck® Connector		
	PCA Label	Pin #	Mating Cable Wire Color
Power *	V+	1	Brown
Common	Com	4	Black
Signal Output (+)	Sig	5	Grey
Signal Output (-)	Ret	2	White
Case Ground	Case	3	Blue

\* Please specify 12Vdc or 24Vdc operation



REMOTE PCA ENCLOSURE FOR HIGH TEMPERATURE TRANSMITTERS (2 meter interconnect cable, not shown)



Max Machinery, Inc.  
an ISO 9001:2015 certified company

# Positive Displacement Flow Meters

## Piston Type, P-Series 7250 psi (500 bar) rated

Flow Meter Selections      Transmitter Selections

Model #   HS    /    / 1 -  Non-Standard Options

Bi-Directional Cal: BID

1 Transmitter Type

### Max Flow Range

0.2 Liters/Min    P001  
2 Liters/Min     P002

A  
A  
A  
A  
P  
Q  
P

### Output Type

A 4-20mA Output - Powered by 24 Vdc  
B 4-20mA Output - Powered by 12 Vdc  
C 0-10 Volt Output - Powered by 24 Vdc  
D 0-10 Volt Output - Powered by 12 Vdc  
N 5V Pulse/Freq. - Powered by 5-26 Vdc  
N 5V Quadrature - Powered by 5-26 Vdc  
S Current Sinking, Single Phase

### Pressure

7250 psi (500 bar)    HS

### Temperature Rating

1 90°C Industrial, 75°C Haz-Loc  
2 155°C Ind./ 130°C Haz-Loc, 2 Part\*\*  
3 225°C -Industrial, 2 Part †

### Fluid Connection

SAE    2  
1/4" and 6mm Tube    3

### Electrical Connection

1 Industrial, Turck® Connector  
2 Hazardous Location, 1/2 Inch Conduit\*

### Seal Selection

Viton® - FKM    1  
Perfluoroelastomer - FFKM    5

### Signal Type

P Pulse  
A Analog  
Q Quadrature

### Options

None    NA



\* See temp chart in product manual.  
\*\* Receiver portion of 2 part transmitters are not rated Ex-Proof, consult factory.  
\*\*\* Teflon not used above 90°C for this high pressure rated product.  
† Not available for hazardous location use. (Exceeds 130°C temp. Limit.)  
Product includes single directional calibration, bi-directional calibrations for Analog and Quadrature devices are optional.