

Model P002 Piston Flow Meter (Frequency) 0.5 cc/min to 2000 cc/min

SPECIFICATIONS

Flow Range	0.5 cc/min to 2000 cc/min
Accuracy (at 3 cP)	± 0.2% of reading over a 200:1 range
Maximum Operating Pressure	7250 psi (500 bar)
Weight	1.9 kg
Recommended Filtration	10 micron
Port Size(s)	#4 SAE
Fluids	Most non-aqueous, hydrocarbon based fluids

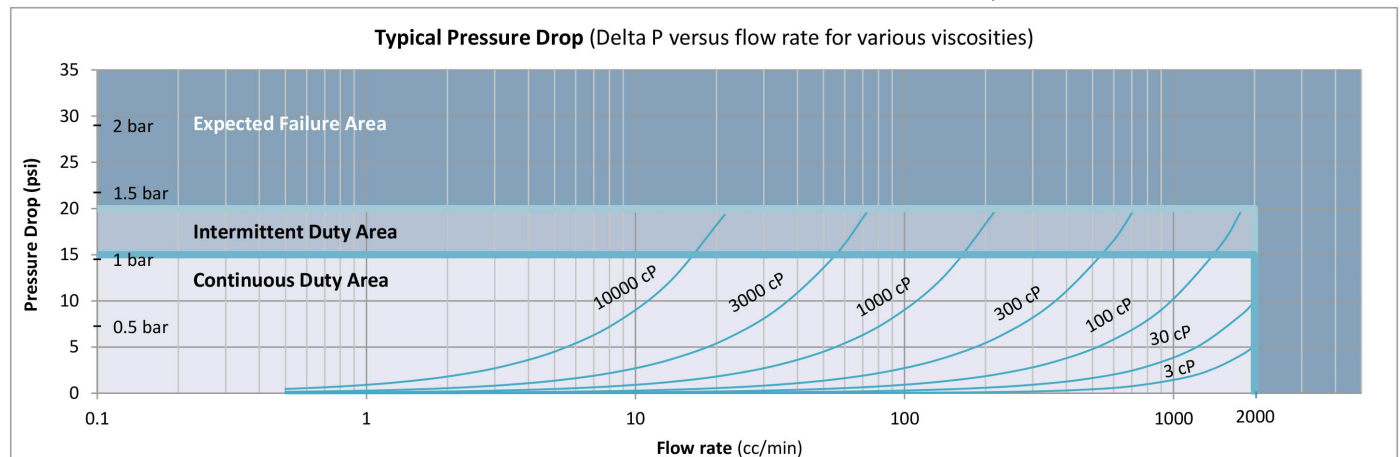
MATERIALS OF CONSTRUCTION

External	Stainless steel, type 303
Wetted	Stainless steel, type 303, 440C, 17-4
O-Rings	Standard: Viton® Optional: Perfluoroelastomer



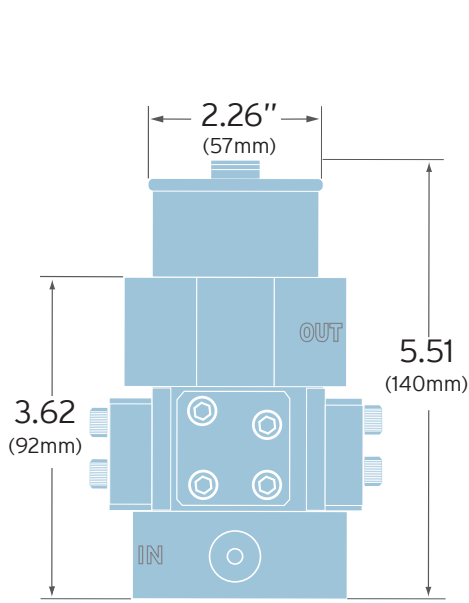
FREQUENCY TRANSMITTER

Output Signal	Standard: 5 Vdc, single phase Optional: Quadrature 5 Vdc, two phase Current sinking, 20 mA max., single phase
K-Factor	Single Phase: 1,000 pulses/cc Two Phase: 2,000 pulses/cc, 4x decoded (500 pulses/cc/phase, 1x decoded)
Power Supply Requirements	5-26 Vdc @ 30ma
Ambient Operational Range	-40°C to 80°C, Single piece – Two piece to 110°C
Metered Liquid Temp Range (based on 20° ambient)	-40°C to 90°C, Standard model -40°C to 155°C, Two piece high temperature model -40°C to 225°C, Two piece, ultra high temperature model
Compliance	CE Certified, Ex-proof version available with ATEX/IECEX II 2 G Ex db IIB Tx Gb as as UL, cUL certification for Class 1, Division 1, Groups C and D, Tx

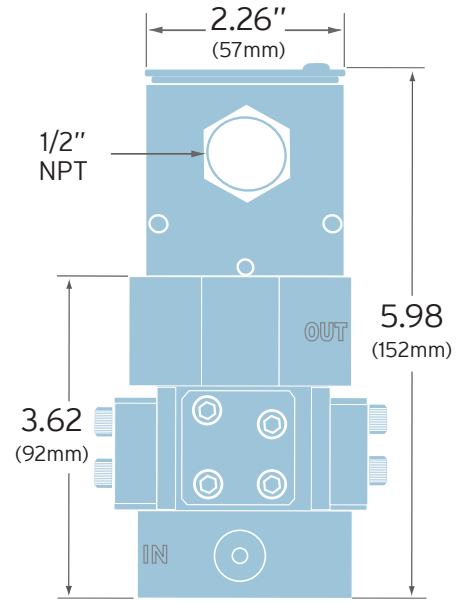


Model P002 Flow Meter (Frequency)

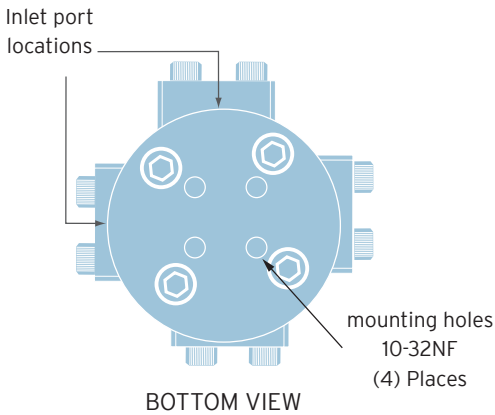
CONNECTIVITY/DIMENSIONS (Not to scale)



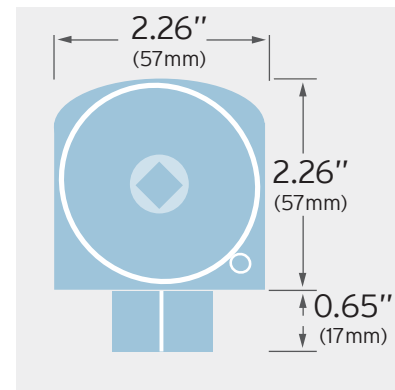
MODEL P002 WITH INDUSTRIAL HOUSING TRANSMITTER



MODEL P002 WITH EX-PROOF HOUSING TRANSMITTER



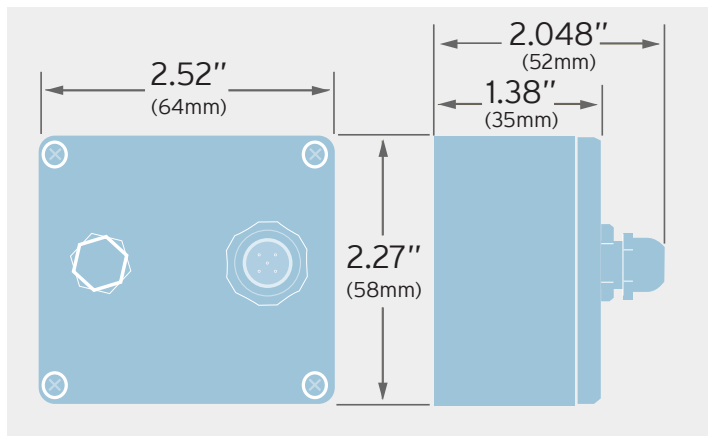
BOTTOM VIEW



EX-PROOF HOUSING TOP VIEW

ELECTRICAL CONNECTION – FREQUENCY TRANSMITTERS

	Turck® Connector		
	PCA Label	Pin #	Mating Cable Wire Color
Power (+5 to 26 Vdc)	V+	1	Brown
Common	Com	4	Black
Pulse Output	Ph A	2	White
Output Phase B (Quad only)	Ph B	5	Grey
Case Ground	Case	3	Blue



REMOTE PCA ENCLOSURE FOR HIGH TEMPERATURE TRANSMITTERS
(2 meter interconnect cable, not shown)



Max Machinery, Inc.
an ISO 9001:2015 certified company

Positive Displacement Flow Meters

Piston Type, P-Series 7250 psi (500 bar) rated

Flow Meter Selections Transmitter Selections

Model # HS / / 1 - Non-Standard Options
Bi-Directional Cal: BID

Max Flow Range

0.2 Liters/Min P001
2 Liters/Min P002

Pressure

7250 psi (500 bar) HS

Fluid Connection

SAE 2
1/4" and 6mm Tube 3

Seal Selection

Viton® - FKM 1
Perfluoroelastomer - FFKM 5

Options

None NA

A
A
A
A
P
Q
P

Output Type

A 4-20mA Output - Powered by 24 Vdc
B 4-20mA Output - Powered by 12 Vdc
C 0-10 Volt Output - Powered by 24 Vdc
D 0-10 Volt Output - Powered by 12 Vdc
N 5V Pulse/Freq. - Powered by 5-26 Vdc
N 5V Quadrature - Powered by 5-26 Vdc
S Current Sinking, Single Phase

Temperature Rating

1 90°C Industrial, 75°C Haz-Loc
2 155°C Ind./ 130°C Haz-Loc, 2 Part**
3 225°C -Industrial, 2 Part †

Electrical Connection

1 Industrial, Turck® Connector
2 Hazardous Location, 1/2 Inch Conduit*

Signal Type

P Pulse
A Analog
Q Quadrature



* See temp chart in product manual.
** Receiver portion of 2 part transmitters are not rated Ex-Proof, consult factory.
*** Teflon not used above 90°C for this high pressure rated product.
† Not available for hazardous location use. (Exceeds 130°C temp. Limit.)
Product includes single directional calibration, bi-directional calibrations for Analog and Quadrature devices are optional.