

Model 380 Series Filter

SPECIFICATIONS

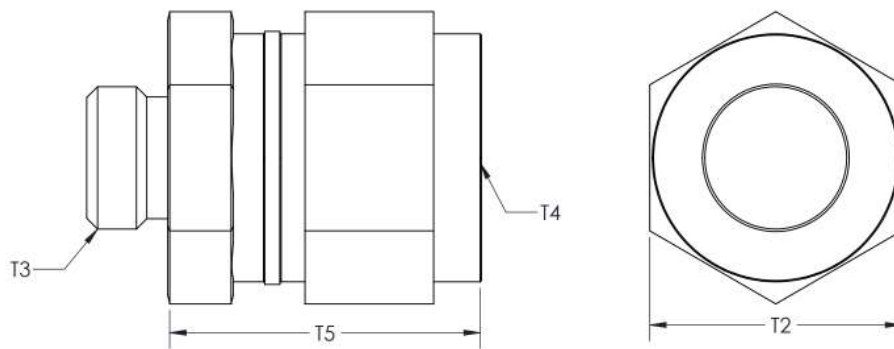
| | |
|----------------------------|----------------------------|
| Element | Stainless steel woven mesh |
| Size(s) | 5 and 10 micron |
| Maximum Operating Pressure | 6000 psi (414 bar) |
| Port Size(s) | 1/8" NPT (MALE-FEMALE) |
| Weight | 0.108kg |



MATERIALS OF CONSTRUCTION

| | |
|---------|---------------------------|
| Body | Stainless steel, type 304 |
| Element | Stainless steel, type 316 |
| Seals | None |

DIMENSIONS



MALE-FEMALE COMBINATION

- T2: 1.00" HEX size
- T3: 1/8" NPT (MALE)
- T4: 1/8" NPT (FEMALE)
- T5: 1.25" MALE-FEMALE (Flat to Fitting)