

Model G240 Gear Flow Meter (Frequency) 250 cc/min to 240 liters/min

SPECIFICATIONS

Flow Range	250 cc/min to 240 liters/min
Accuracy (at 30 cP)	± 0.3% of reading over a 100:1 range
Maximum Operating Pressure	4000 psi (275 bar) - NPT fittings 6000 psi (414 bar) - SAE fittings
Weight	21 kg
Recommended Filtration	30 micron
Port Size(s)	1" NPT or #16 SAE
Fluids	Most non-aqueous, hydrocarbon based fluids

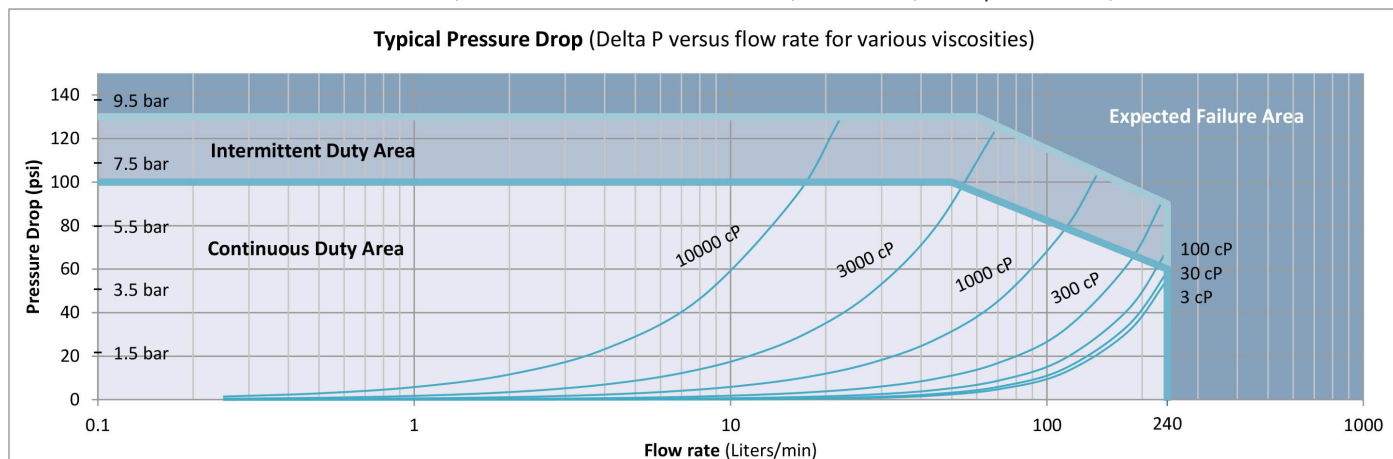


MATERIALS OF CONSTRUCTION

Body	Stainless steel, type 303
Gears and Shafts	Stainless steel, type 303, 440C, 17-4
O-Rings	Standard, Viton® Optional: Teflon®, Perfluoroelastomer

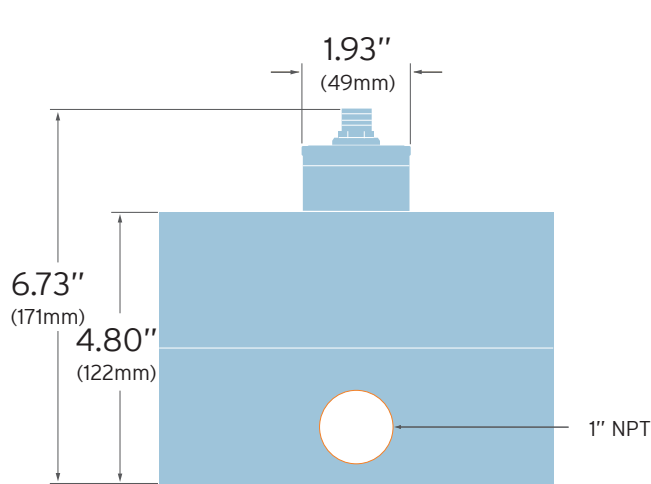
FREQUENCY TRANSMITTER

Output Signal	Standard: 5 Vdc, single phase Optional: Quadrature 5 Vdc, two phase Current sinking, 20 mA max., single phase
K-Factor	Single Phase: 7 pulses/cc Two Phase: 14 pulses/cc, 4x decoded (3.5 pulses/cc/phase, 1x decoded)
Power Supply Requirements	5 - 26 Vdc, @ 30 mA
Ambient Operational Range	-40°C to 80°C, Single piece – Two piece to 110°C
Metered Liquid Temp Range (based on 20° ambient)	-40°C to 90°C, Standard model -40°C to 155°C, Two piece high temperature model -40°C to 225°C, Two piece, ultra high temperature model
Compliance	CE Certified, Ex-proof version available with ATEX/IECEX II 2 G Ex db IIB Tx Gb as well as UL, cUL certification for Class 1, Division 1, Groups C and D, Tx

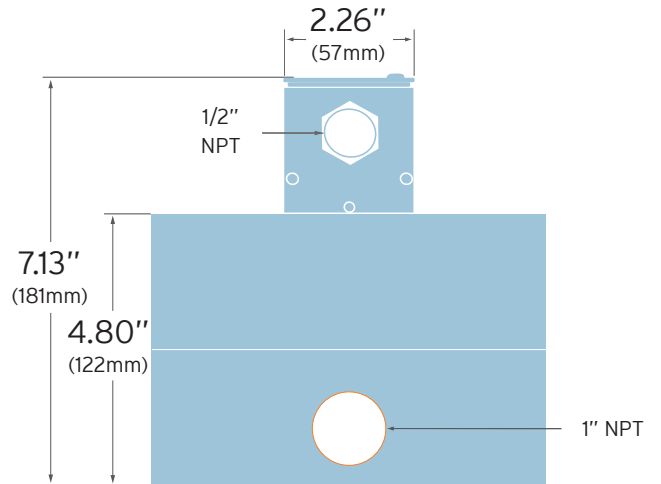


Model G240 Flow Meter (Frequency)

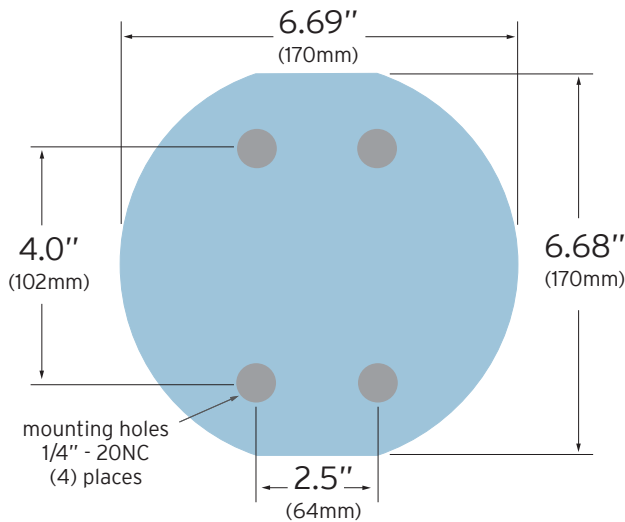
CONNECTIVITY/DIMENSIONS



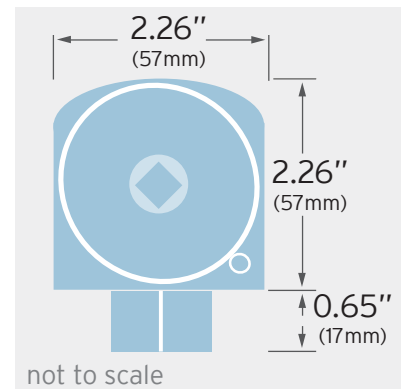
MODEL G240 WITH INDUSTRIAL HOUSING TRANSMITTER



MODEL G240 WITH EX-PROOF HOUSING TRANSMITTER



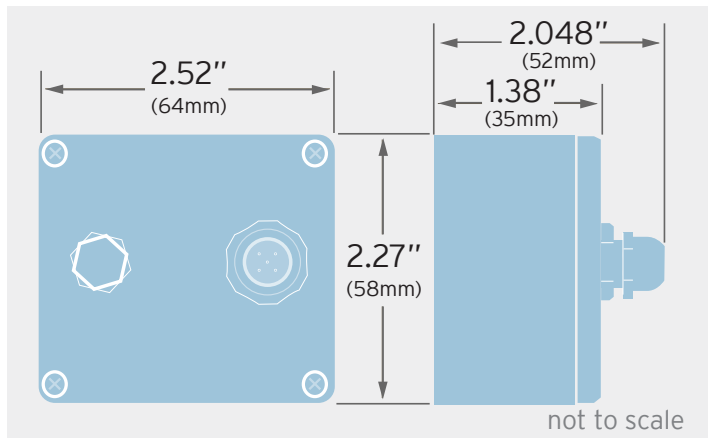
BOTTOM VIEW



EX-PROOF HOUSING TOP VIEW

ELECTRICAL CONNECTION – FREQUENCY TRANSMITTERS

	Turck® Connector		
	PCA Label	Pin #	Mating Cable Wire Color
Power (+5 to 26 Vdc)	V+	1	Brown
Common	Com	4	Black
Pulse Output	Ph A	2	White
Output Phase B (Quad only)	Ph B	5	Grey
Case Ground	Case	3	Blue



REMOTE PCA ENCLOSURE FOR HIGH TEMPERATURE TRANSMITTERS
(2 meter interconnect cable, not shown)

Positive Displacement Flow Meters Gear Type, G-Series

Flow Meter Selections Transmitter Selections

Model # HS / / 1 - Non-Standard Options

Bi-Directional Cal: BID

1 Transmitter Type

Max Flow Range

4 Liters/Min	G004
15 Liters/Min	G015
45 Liters/Min	G045
105 Liters/Min	G105
240 Liters/Min	G240

Pressure

6000 psi (414 bar) HS

Note: G240 limited to 4000 psi (240 bar)
if specified with NPT connections

Fluid Connection

NPT	1
SAE	2

Seal Selection

Viton® - FKM	1
Teflon® - PTFE***	3
Perfluoroelastomer - FFKM	5

Options

None	NA
Heat Trace Option	HT

Output Type

A	A	4-20mA Output - Powered by 24 Vdc
A	B	4-20mA Output - Powered by 12 Vdc
A	C	0-10 Volt Output - Powered by 24 Vdc
A	D	0-10 Volt Output - Powered by 12 Vdc
P	N	5V Pulse/Freq. - Powered by 5-26 Vdc
Q	N	5V Quadrature - Powered by 5-26 Vdc
P	S	Current Sinking, Single Phase

Temperature Rating

- 90°C Industrial / 75°C Haz-Loc
- 155°C Ind. / 130°C Haz-Loc, 2 Part **
- 225°C Industrial, 2 Part †

Electrical Connection

- Industrial, Turck® Connector
- Hazardous Location, 1/2 Inch Conduit*

Signal Type

P	Pulse
A	Analog
Q	Quadrature

- * See temp chart in product manual.
 - ** Receiver portion of 2 part transmitters are not rated Ex-Proof, consult factory.
 - *** Teflon® not used above 90°C for this high pressure rated product.
 - † Not available for hazardous location use. (Exceeds 130°C temp. limit.)
- Product includes single directional calibration, bi-directional calibrations for analog and quadrature devices are optional.



Model G015