

Model P001 Piston Flow Meter (Analog) 0.005 to 200 cc/min

SPECIFICATIONS

Flow Range	0.005 to 200 cc/min
Accuracy (3 cP)	± 0.2% of reading over a 200:1 range, or ± 2mV (or 4µA), whichever is greater
Maximum Operating Pressure	7250 psi (500 bar)
Weight	1.1 kg
Recommended Filtration	5 micron
Port Size(s)	1/4" or 6mm tube fitting
Fluids	Most non aqueous, hydrocarbon based fluids

MATERIALS OF CONSTRUCTION

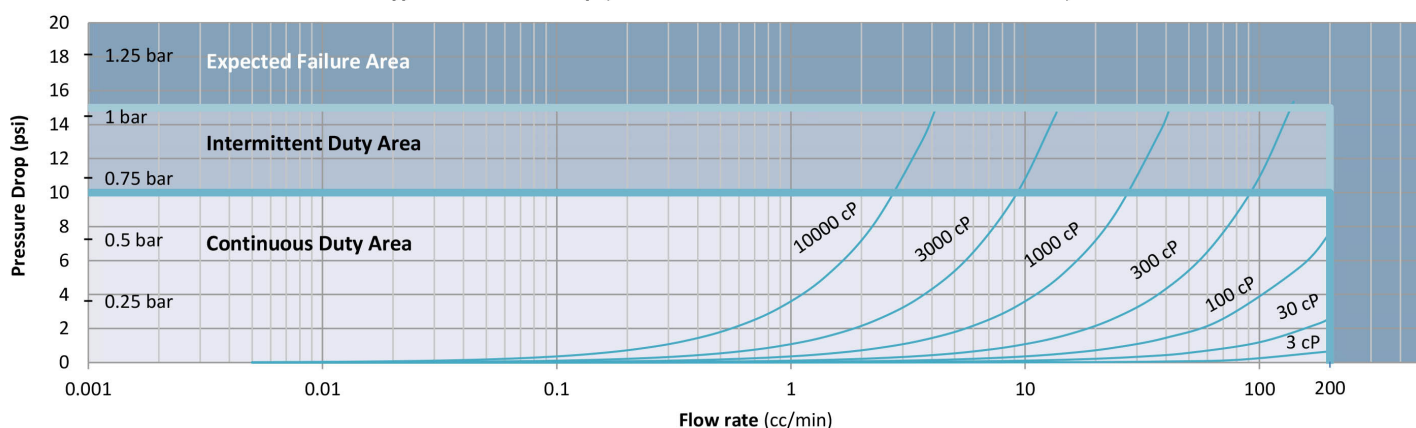
External	Stainless steel, type 316
Wetted	Stainless steel, type 316, 440C; Silicon Nitride; Nickel based carbide
O-Rings	Standard: Viton® Optional: Perfluoroelastomer

ANALOG TRANSMITTER

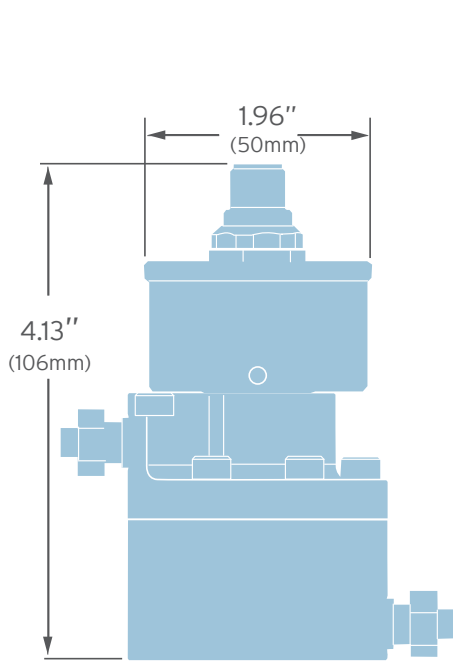
Output Signal	Any range of ± 10V or ± 20mA Linearized and damped with anti-dither protection
Power Supply Requirements	12Vdc @ 90 mA, 24Vdc @ 45 mA
Ambient Operational Range	-40°C to 80°C, Single piece – Two piece to 110°C
Metered Liquid Temp Range (based on 20° ambient)	-40°C to 90°C, Industrial model -40°C to 155°C, Two piece high temperature model -40°C to 225°C, Two piece, ultra high temperature model
Compliance	CE Certified, Ex-proof version available with ATEX/IECEX II 2 G Ex db IIB Tx Gb as well as UL, cUL certification for Class 1, Division 1, Groups C and D, Tx



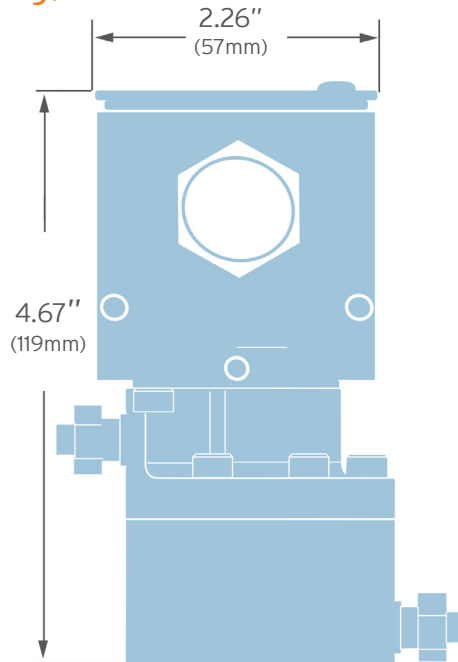
Typical Pressure Drop (Delta P versus flow rate for various viscosities)



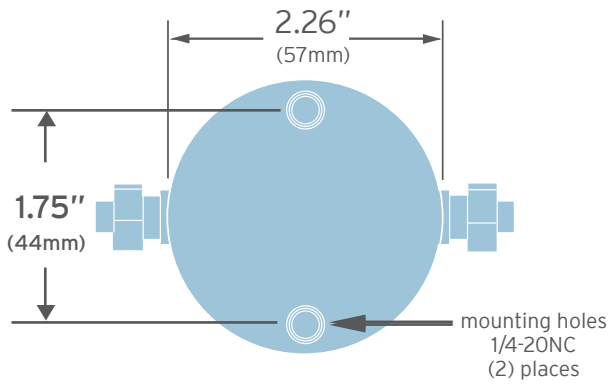
Model P001 Piston Flow Meter (Analog)



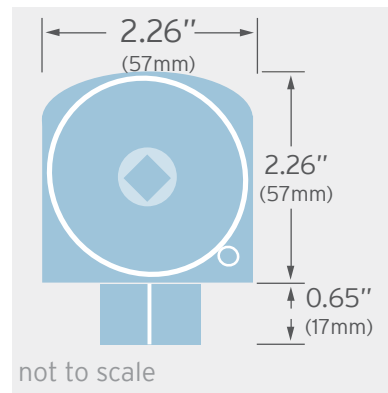
Model P001 meter with industrial transmitter



Model P001 meter with Explosion Proof transmitter



Bottom View

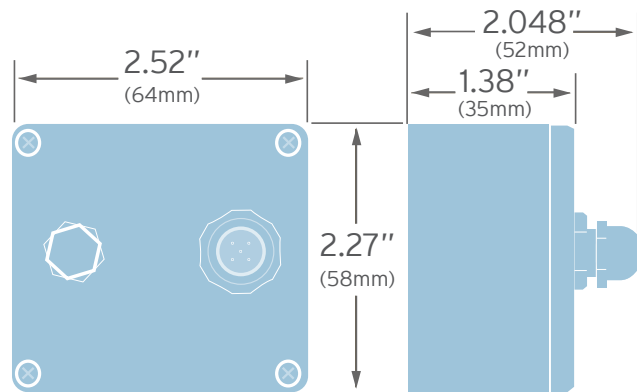


Top View of Explosion Proof Enclosure

ELECTRICAL CONNECTION – ANALOG TRANSMITTERS

	Turck® Connector		
	PCA Label	Pin #	Mating Cable Wire Color
Power *	V+	1	Brown
Common	Com	4	Black
Signal Output (+)	Sig	5	Grey
Signal Output (-)	Ret	2	White
Case Ground	Case	3	Blue

* Please specify 12Vdc or 24Vdc operation



REMOTE PCA ENCLOSURE FOR HIGH TEMPERATURE TRANSMITTERS
(2 meter interconnect cable, not shown)



Max Machinery, Inc.
an ISO 9001:2015 certified company

Positive Displacement Flow Meters

Piston Type, P-Series 7250 psi (500 bar) rated

Flow Meter Selections

Model # HS /

Transmitter Selections

/ -

Non-Standard Options

Bi-Directional Cal: BID

1 Transmitter Type

Max Flow Range

0.2 Liters/Min P001
2 Liters/Min P002

A
A
A
A
P
Q
P

Output Type

A 4-20mA Output - Powered by 24 Vdc
B 4-20mA Output - Powered by 12 Vdc
C 0-10 Volt Output - Powered by 24 Vdc
D 0-10 Volt Output - Powered by 12 Vdc
N 5V Pulse/Freq. - Powered by 5-26 Vdc
N 5V Quadrature - Powered by 5-26 Vdc
S Current Sinking, Single Phase

Pressure

7250 psi (500 bar) HS

Temperature Rating

1 90°C Industrial, 75°C Haz-Loc
2 155°C Ind./ 130°C Haz-Loc, 2 Part**
3 225°C -Industrial, 2 Part †

Fluid Connection

SAE 2
1/4" and 6mm Tube 3

Electrical Connection

1 Industrial, Turck® Connector
2 Hazardous Location, 1/2 Inch Conduit*

Seal Selection

Viton® - FKM 1
Perfluoroelastomer - FFKM 5

Signal Type

P Pulse
A Analog
Q Quadrature

Options

None NA



* See temp chart in product manual.
** Receiver portion of 2 part transmitters are not rated Ex-Proof, consult factory.
*** Teflon not used above 90°C for this high pressure rated product.
† Not available for hazardous location use. (Exceeds 130°C temp. Limit.)
Product includes single directional calibration, bi-directional calibrations for Analog and Quadrature devices are optional.