

Model P002 Piston Flow Meter (Analog) 0.5 cc/min to 2000 cc/min

SPECIFICATIONS

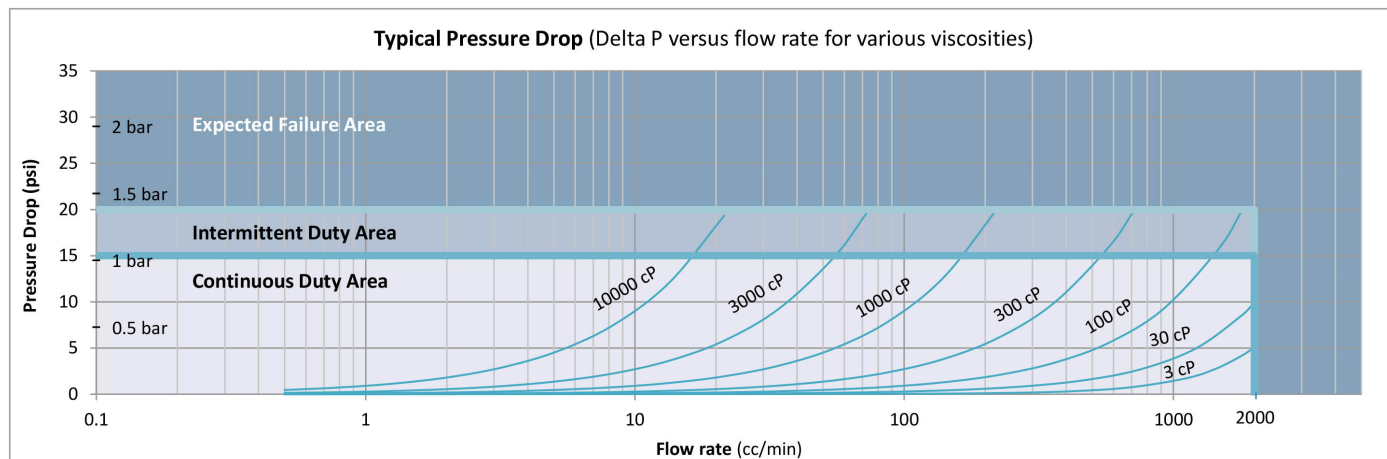
| | |
|----------------------------|--|
| Flow Range | 0.5 cc/min to 2000 cc/min |
| Accuracy (at 3 cP) | ± 0.2% of reading over a 200:1 range, or ± 2mV (or 4µA), whichever is greater |
| Maximum Operating Pressure | 7250 psi (500 bar) |
| Weight | 1.9 kg |
| Recommended Filtration | 10 micron |
| Port Size(s) | #4 SAE |
| Fluids | Most non-aqueous, hydrocarbon based fluids |

MATERIALS OF CONSTRUCTION

| | |
|----------|--|
| External | Stainless steel, type 303 |
| Wetted | Stainless steel, type 303, 440C, 17-4 |
| O-Rings | Standard: Viton® Optional: Perfluoroelastomer |

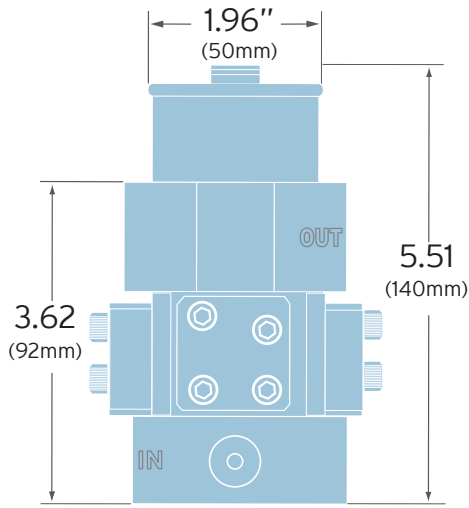
ANALOG TRANSMITTER

| | |
|---|--|
| Output Signal | Any range of ± 10V or ± 20mA Linearized and damped with anti-dither protection |
| Power Supply Requirements | Two Models: 12Vdc @ 90 mA, 24Vdc @ 45 mA |
| Ambient Operational Range | -40°C to 80°C, Single piece – Two piece to 110°C |
| Metered Liquid Temp Range (based on 20° ambient) | -40°C to 90°C, Standard model -40°C to 155°C, Two piece high temperature model -40°C to 225°C, Two piece, ultra high temperature model |
| Compliance | CE Certified, Ex-proof version available with ATEX/IECEX II 2 G Ex db IIB Tx Gb as well as UL, cUL certification for Class 1, Division 1, Groups C and D, Tx |

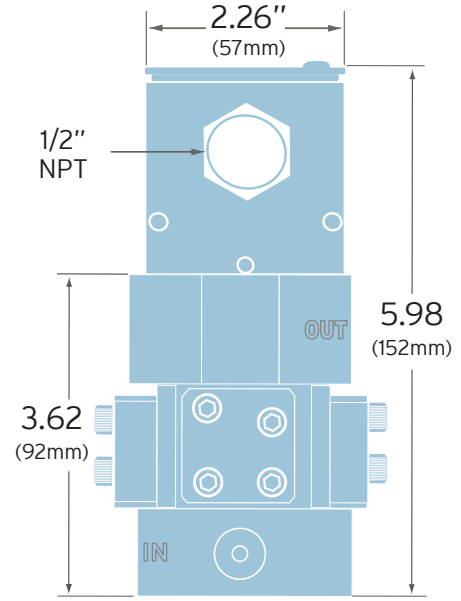


Model P002 Flow Meter (Analog)

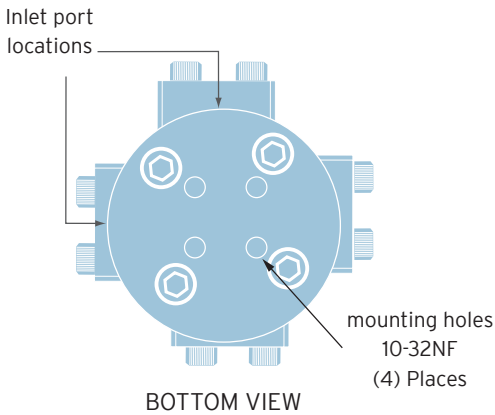
CONNECTIVITY/DIMENSIONS (Not to scale)



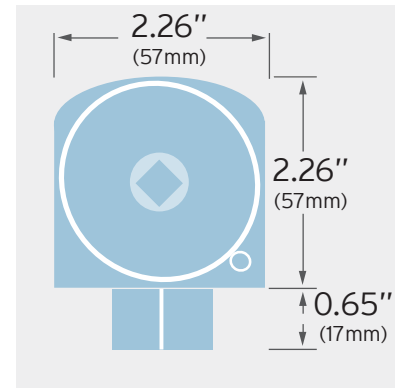
MODEL P002 WITH INDUSTRIAL HOUSING TRANSMITTER



MODEL P002 WITH EX-PROOF HOUSING TRANSMITTER



BOTTOM VIEW

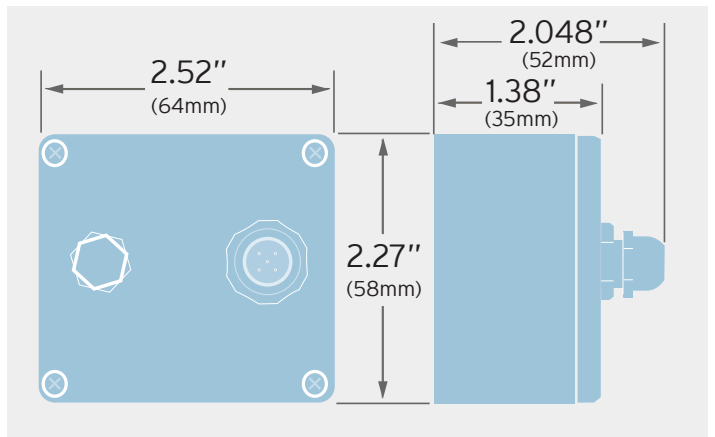


EX-PROOF HOUSING TOP VIEW

ELECTRICAL CONNECTION – ANALOG TRANSMITTERS

| | Turck® Connector | | |
|-------------------|------------------|-------|-------------------------|
| | PCA Label | Pin # | Mating Cable Wire Color |
| Power * | V+ | 1 | Brown |
| Common | Com | 4 | Black |
| Signal Output (+) | Sig | 5 | Grey |
| Signal Output (-) | Ret | 2 | White |
| Case Ground | Case | 3 | Blue |

* Please specify 12Vdc or 24Vdc operation



REMOTE PCA ENCLOSURE FOR HIGH TEMPERATURE TRANSMITTERS (2 meter interconnect cable, not shown)



Max Machinery, Inc.
an ISO 9001:2015 certified company

Positive Displacement Flow Meters

Piston Type, P-Series 7250 psi (500 bar) rated

Flow Meter Selections Transmitter Selections

Model # HS / / 1 - Non-Standard Options

Bi-Directional Cal: BID

1 Transmitter Type

Max Flow Range

0.2 Liters/Min P001 3
2 Liters/Min P002 2

Pressure

7250 psi (500 bar) HS

Fluid Connection

SAE 2
1/4" and 6mm Tube 3

Seal Selection

Viton® - FKM 1
Perfluoroelastomer - FFKM 5

Options

None NA

Output Type

A 4-20mA Output - Powered by 24 Vdc
A 4-20mA Output - Powered by 12 Vdc
A 0-10 Volt Output - Powered by 24 Vdc
A 0-10 Volt Output - Powered by 12 Vdc
P 5V Pulse/Freq. - Powered by 5-26 Vdc
Q 5V Quadrature - Powered by 5-26 Vdc
P Current Sinking, Single Phase

Temperature Rating

1 90°C Industrial, 75°C Haz-Loc
2 155°C Ind./ 130°C Haz-Loc, 2 Part**
3 225°C -Industrial, 2 Part †

Electrical Connection

1 Industrial, Turck® Connector
2 Hazardous Location, 1/2 Inch Conduit*

Signal Type

P Pulse
A Analog
Q Quadrature



* See temp chart in product manual.
** Receiver portion of 2 part transmitters are not rated Ex-Proof, consult factory.
*** Teflon not used above 90°C for this high pressure rated product.
† Not available for hazardous location use. (Exceeds 130°C temp. Limit.)
Product includes single directional calibration, bi-directional calibrations for Analog and Quadrature devices are optional.