



Model P234MZ Piston Flow Meter (Analog)

1 to 2000 cc/min

SPECIFICATIONS

| | |
|----------------------------|--|
| Flow Range | 1 to 2000 cc/min |
| Accuracy (1 cP) | ± 0.4% of reading over a 100:1 range |
| Maximum Operating Pressure | 3000 psi (210 bar) |
| Weight | 4.1 kg |
| Recommended Filtration | 10 micron |
| Port Size(s) | 1/4 inch NPT or G 1/4-19 BSPP |
| Fluids | Most aqueous based fluids with a pH between 4 and 12 |

MATERIALS OF CONSTRUCTION

| | |
|----------|---|
| External | Stainless steel, type 316, type 304; Blue Xylan 316 fasteners; Polycarbonate LED cover - avoid contact with solvents |
| Wetted | Stainless steel, type 316; Graphite; PEEK; Nickel Carbide |
| O-Rings | Standard: Viton® Optional: Teflon®, Perfluoroelastmer |

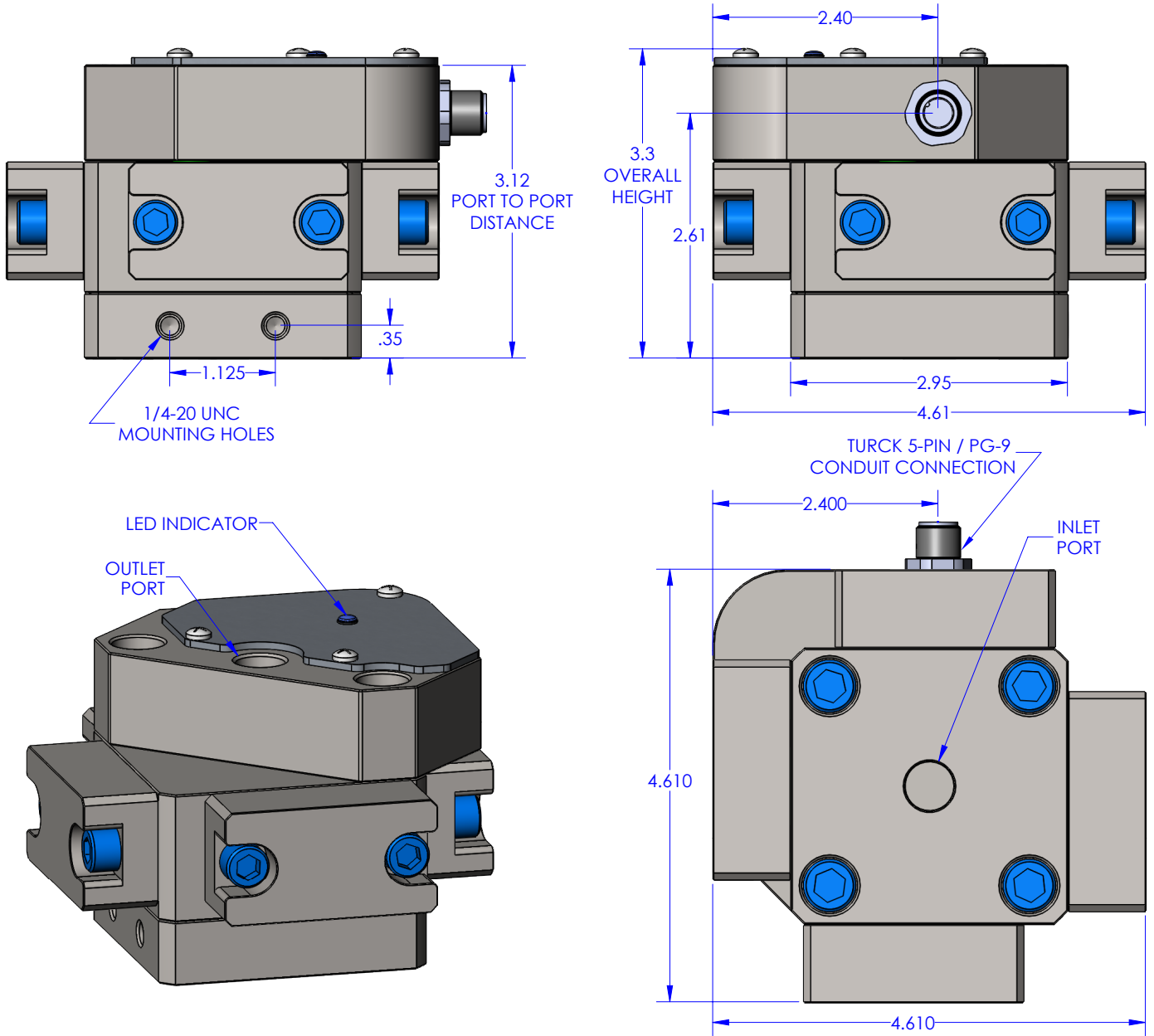
ANALOG TRANSMITTER

| | |
|---|---|
| Output Signal | Any range of ± 10V or ± 20mA linearized and damped with anti-dither protection |
| Power Supply Requirements | 12Vdc @ 90 mA, 24Vdc @ 45 mA |
| Ambient Operational Range | 5°C to 80°C |
| Metered Liquid Temp Range (based on 20° ambient) | 5°C to 90°C |

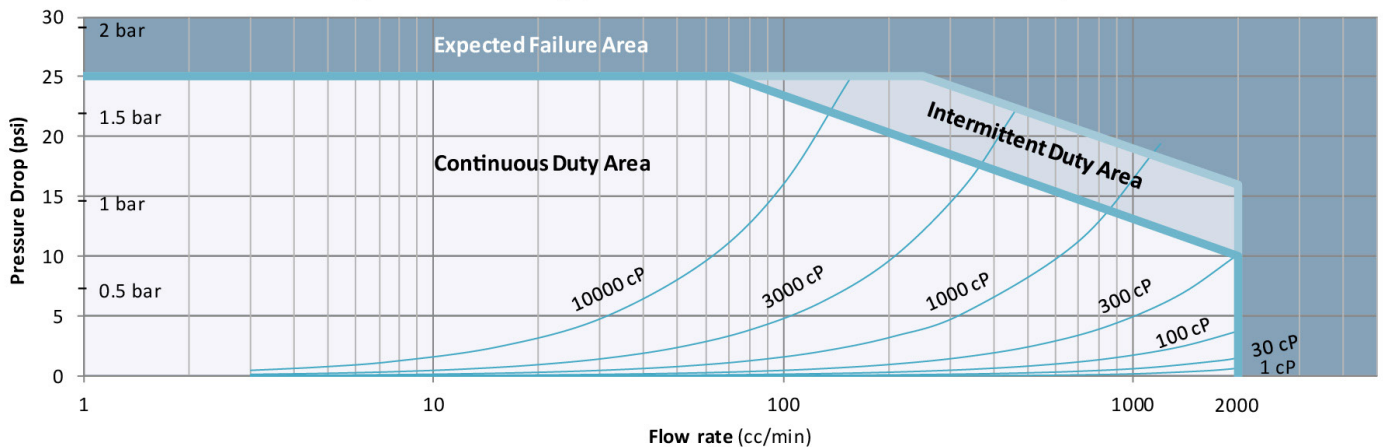


Model P234MZ Flow Meter (Analog)

DIMENSIONS (Not to scale)



Typical Pressure Drop (Delta P versus flow rate for various viscosities)





Max Machinery, Inc.
an ISO 9001:2015 certified company

Positive Displacement Flow Meters

Piston Type, P-Series 3000 psi (210 bar) rated, Water Based Fluids

Flow Meter Selections

Model # MZ NA /

Transmitter Selections

1 1 / 2 - Non-Standard Options

Bi-Directional Cal: BID

2 Transmitter Type

Max Flow Range

2 Liters/Min P234 MZ

- | | | |
|---|---|--------------------------------------|
| A | A | 4-20mA Output - Powered by 24 Vdc |
| A | B | 4-20mA Output - Powered by 12 Vdc |
| A | C | 0-10 Volt Output - Powered by 24 Vdc |
| A | D | 0-10 Volt Output - Powered by 12 Vdc |
| P | N | 5V Pulse/Freq. - Powered by 5-26 Vdc |
| Q | N | 5V Quadrature - Powered by 5-26 Vdc |
| P | S | Current Sinking, Single Phase |

Output Type

Pressure

3000 psi (210 bar) MZ

Temperature Rating

1 90°C Industrial

Fluid Connection

- NPT 1
G-Type / BSPP 6

Electrical Connection

1 Industrial, Turck® Connector

Seal Selection

- Viton® - FKM 1
Teflon® - PTFE 3
Perfluoroelastomer - FFKM 5

Signal Type

- P Pulse
A Analog
Q Quadrature

Options

None NA



Product includes single directional calibration, bi-directional calibrations for Analog and Quadrature devices are optional.