



## Model P234MZ Piston Flow Meter (Frequency) 1 to 2000 cc/min

### SPECIFICATIONS

Flow Range	1 to 2000 cc/min
Accuracy (1 cP)	± 0.4% of reading over a 100:1 range
Maximum Operating Pressure	3000 psi (210 bar)
Weight	4.1 kg
Recommended Filtration	10 micron
Port Size(s)	1/4 inch NPT or G 1/4-19 BSPP
Fluids	Most aqueous based fluids with a pH between 4 and 12

### MATERIALS OF CONSTRUCTION

External	Stainless steel, type 316, type 304; Blue Xylan 316 fasteners; Polycarbonate LED cover - avoid contact with solvents
Wetted	Stainless steel, type 316; Graphite; PEEK; Nickel Carbide
O-Rings	Standard: Viton® Optional: Teflon®, Perfluoroelastmer

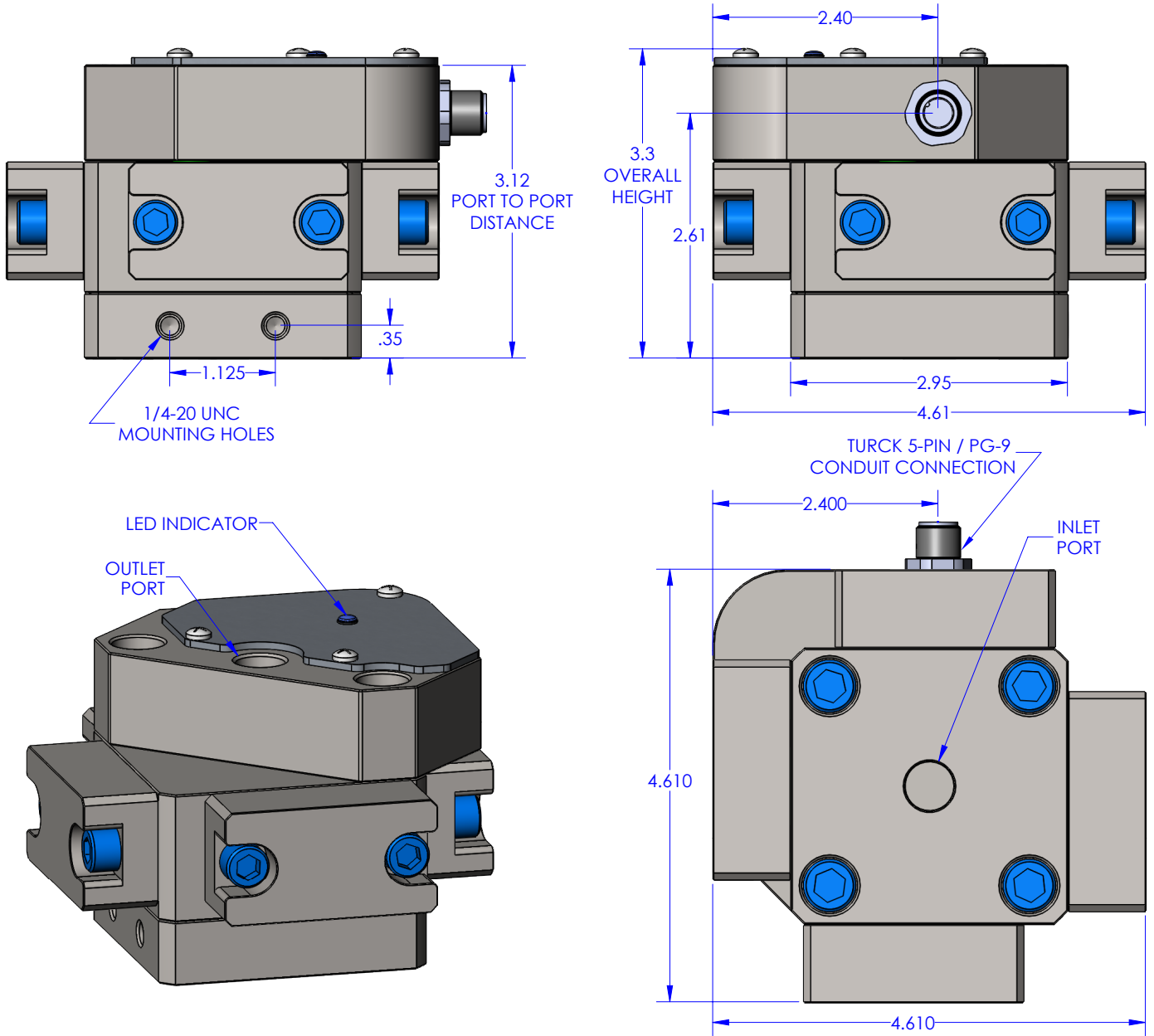
### FREQUENCY TRANSMITTER

Output Signal	Standard: 5 Vdc, single phase Optional: Quadrature 5 Vdc, two phase Current sinking, 20 mA max., single phase
K-Factor	Single Phase: 180 pulses/cc Two Phase: 360 pulses/cc, 4x decoded (90 pulses/cc/phase, 1x decoded)
Power Supply Requirements	5-26 Vdc @ 30ma
Ambient Operational Range	5°C to 80°C
Metered Liquid Temp Range (based on 20° ambient)	5°C to 90°C

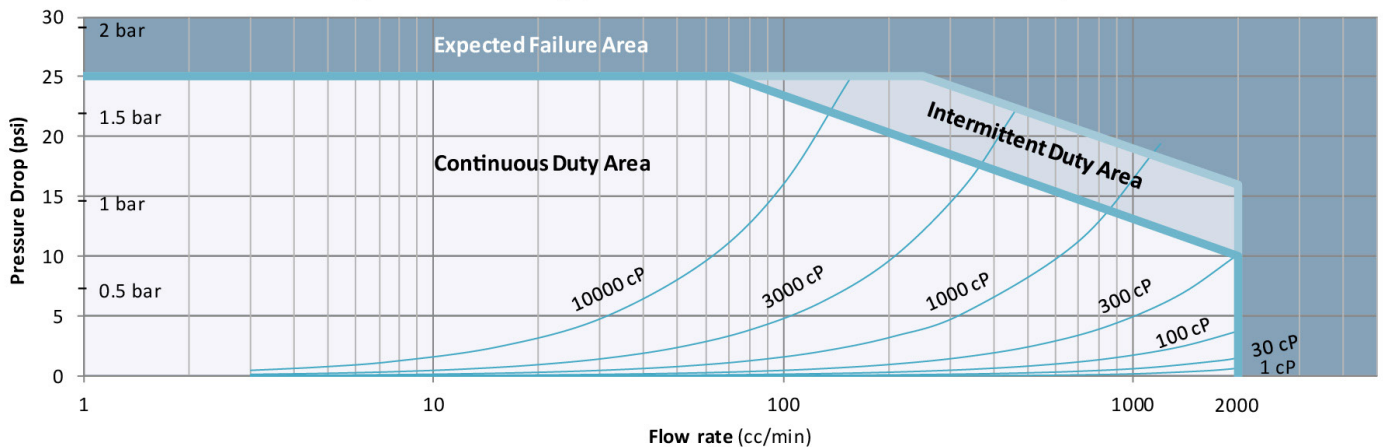


# Model P234MZ Flow Meter (Frequency)

DIMENSIONS (Not to scale)



Typical Pressure Drop (Delta P versus flow rate for various viscosities)





Max Machinery, Inc.  
an ISO 9001:2015 certified company

# Positive Displacement Flow Meters

## Piston Type, P-Series 3000 psi (210 bar) rated, Water Based Fluids

### Flow Meter Selections

Model #  MZ   NA /

### Transmitter Selections

1  1  /  2 -  Non-Standard Options

Bi-Directional Cal: BID

2 Transmitter Type

#### Max Flow Range

2 Liters/Min P234 MZ

A  
A  
A  
A  
P  
Q  
P

#### Output Type

A 4-20mA Output - Powered by 24 Vdc  
B 4-20mA Output - Powered by 12 Vdc  
C 0-10 Volt Output - Powered by 24 Vdc  
D 0-10 Volt Output - Powered by 12 Vdc  
N 5V Pulse/Freq. - Powered by 5-26 Vdc  
N 5V Quadrature - Powered by 5-26 Vdc  
S Current Sinking, Single Phase

#### Pressure

3000 psi (210 bar) MZ

#### Temperature Rating

1 90°C Industrial

#### Fluid Connection

NPT 1  
G-Type / BSPP 6

#### Electrical Connection

1 Industrial, Turck® Connector

#### Seal Selection

Viton® - FKM 1  
Teflon® - PTFE 3  
Perfluoroelastomer - FFKM 5

#### Signal Type

P Pulse  
A Analog  
Q Quadrature

#### Options

None NA



Product includes single directional calibration, bi-directional calibrations for Analog and Quadrature devices are optional.