

Model G015HZ Gear Flow Meter (Analog) 10 cc/min to 15 liters/min

SPECIFICATIONS

Flow Range	10 cc/min to 15 liters/min
Accuracy (at 30 cP)	± 0.3% of reading over a 100:1 range, or ± 2mV (or 4µA), whichever is greater
Maximum Operating Pressure	6000 psi (414 bar)
Weight	1.8 kg
Recommended Filtration	10 micron
Port Size(s)	3/8" NPT or #6 SAE
Fluids	Most non-aqueous, hydrocarbon based fluids



MATERIALS OF CONSTRUCTION

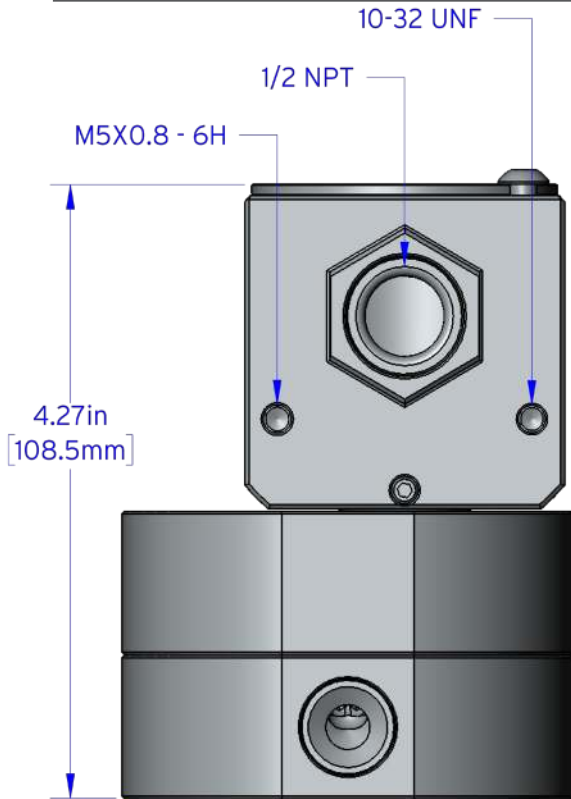
External	Stainless steel, type 316
Wetted	Stainless steel, type 316, 440C, 17-4
O-Rings	Standard: Viton® Optional: Teflon®, Perfluoroelastomer

ANALOG TRANSMITTER

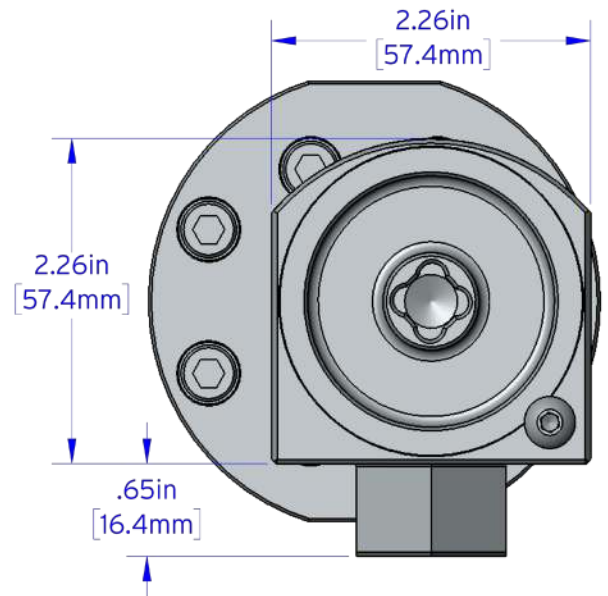
Output Signal	Any range of ± 10V or ± 20mA Linearized and damped with anti-dither protection.
Power Supply Requirements	Two Models: 12Vdc @ 90 mA, 24Vdc @ 45 mA
Ambient Operational Range	-40°C to 75°C, Single piece – Two piece to 110°C
Metered Liquid Temp Range (based on 20° ambient)	-40°C to 75°C, Standard model -40°C to 130°C, Two piece high temperature model
Compliance	CE Certified, Ex-proof version available with ATEX/IECEx II 2 G Ex db IIB Tx Gb as well as UL, cUL certification for Class 1, Division 1, Groups C and D, Tx

Model G015HZ Flow Meter (Analog)

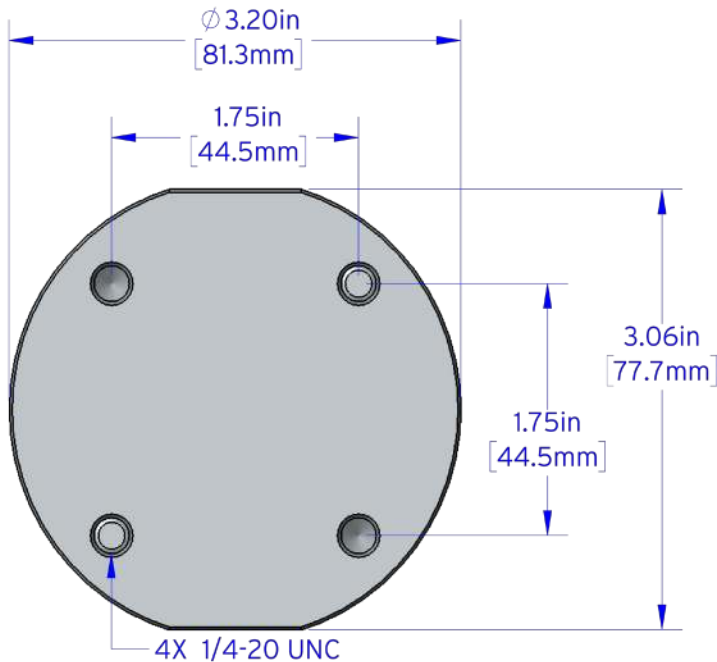
DIMENSIONS (Not to scale)



MODEL G015HZ WITH
EX-PROOF HOUSING



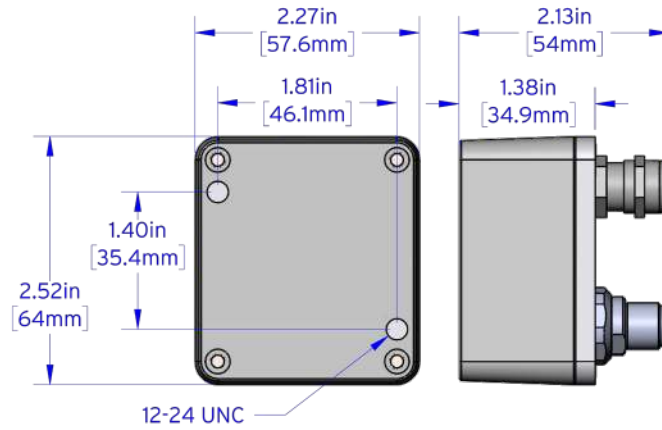
EX-PROOF HOUSING
TOP VIEW



BOTTOM VIEW

Model G015HZ Flow Meter (Analog)

DIMENSIONS (Not to scale)



REMOTE PCA ENCLOSURE FOR HIGH TEMPERATURE TRANSMITTERS
(User supplied interconnect cable required, not shown)

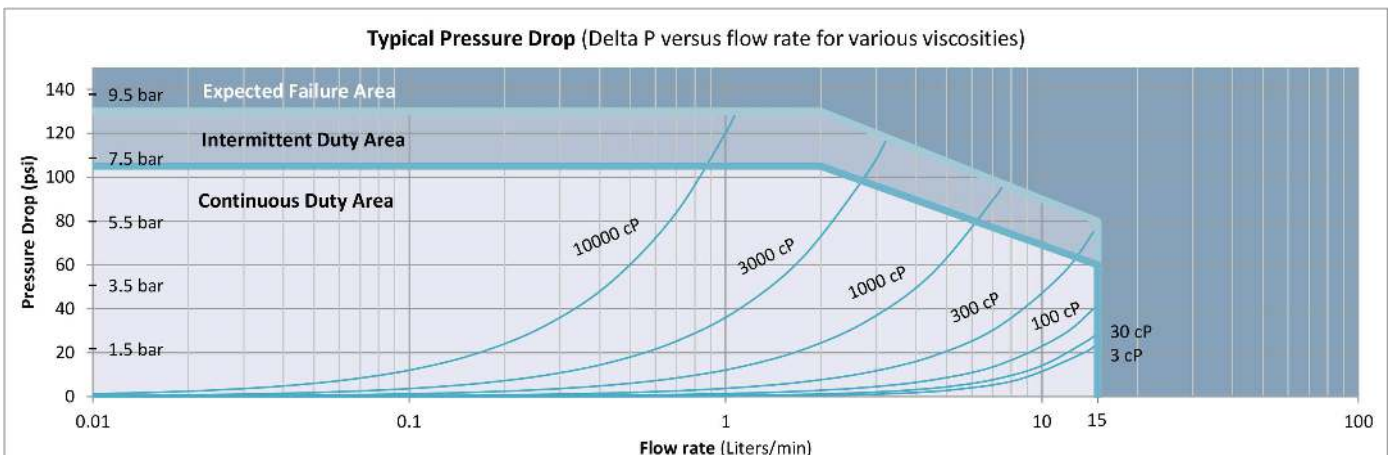
CONNECTIVITY

Pulse Output Wiring	Pulse PCB Label	Analog Output Wiring	Analog PCB Label	Wiring Adaptor Pin #	Two Part Transmitter Wiring	
					Ex-Proof Sender (Example: EX29x-051-000)	Remote Receiver (Example: EX296-x8x-xxx)
Power *	V+	Power	V+	1	Case	Case
Common	Com	Common	Com	2	5V	5V
Signal Output	PhA	Signal Output (+)	Sig	3	Ra	Ra
(Quad only)	PhB	Signal Output (-)	Ret	4	Rb	Rb
Case Ground	Case	Case Ground	Case	5	Com	Com

For reference only. See Installation Instructions - Hazardous Locations document EXInstallEnglish-Rev3-MultiLanguage-Rev2019A

* Please specify 12Vdc or 24Vdc operation

PRESSURE DROP GRAPH





Max Machinery, Inc.
an ISO 9001:2015 certified company

Positive Displacement Flow Meters Gear Type, G-Series, 316 Stainless Steel

Flow Meter Selections Transmitter Selections

Model # HZ 1 NA / 2 / 1 - Non-Standard Options

Bi-Directional Cal: BID

1 Transmitter Type

Max Flow Range

4 Liters/Min G004
15 Liters/Min G015
45 Liters/Min G045

Pressure

6000 psi (414 bar) HZ

Fluid Connection

NPT 1

Seal Selection

Viton® - FKM 1
Teflon® - PTFE*** 3
Perfluoroelastomer - FFKM 5

Options

None NA

Output Type

A 4-20mA Output - Powered by 24 Vdc
A 4-20mA Output - Powered by 12 Vdc
A 0-10 Volt Output - Powered by 24 Vdc
A 0-10 Volt Output - Powered by 12 Vdc
P 5V Pulse/Freq. - Powered by 5-26 Vdc
Q 5V Quadrature - Powered by 5-26 Vdc
P Current Sinking, Single Phase

Temperature Rating

1 75°C Haz-Loc
2 130°C Haz-Loc, 2 Part**

Electrical Connection

2 Hazardous Location, 1/2 Inch Conduit*

Signal Type

P Pulse
A Analog
Q Quadrature

- * See temp chart in product manual.
- ** Receiver portion of 2 part transmitters are not rated Ex-Proof, consult factory.
- *** Teflon® not used above 90°C for this high pressure rated product.

Product includes single directional calibration, bi-directional calibrations for analog and quadrature devices are optional.



Model G045HZ