

## Model G105 Gear Flow Meter (Frequency) 75 cc/min to 105 liters/min

### SPECIFICATIONS

Flow Range	75 cc/min to 105 liters/min
Accuracy (at 30 cP)	± 0.3% of reading over a 100:1 range
Maximum Operating Pressure	6000 psi (414 bar)
Weight	7.7 kg
Recommended Filtration	30 micron
Port Size(s)	3/4" NPT or #10 SAE
Fluids	Most non-aqueous, hydrocarbon based fluids



### MATERIALS OF CONSTRUCTION

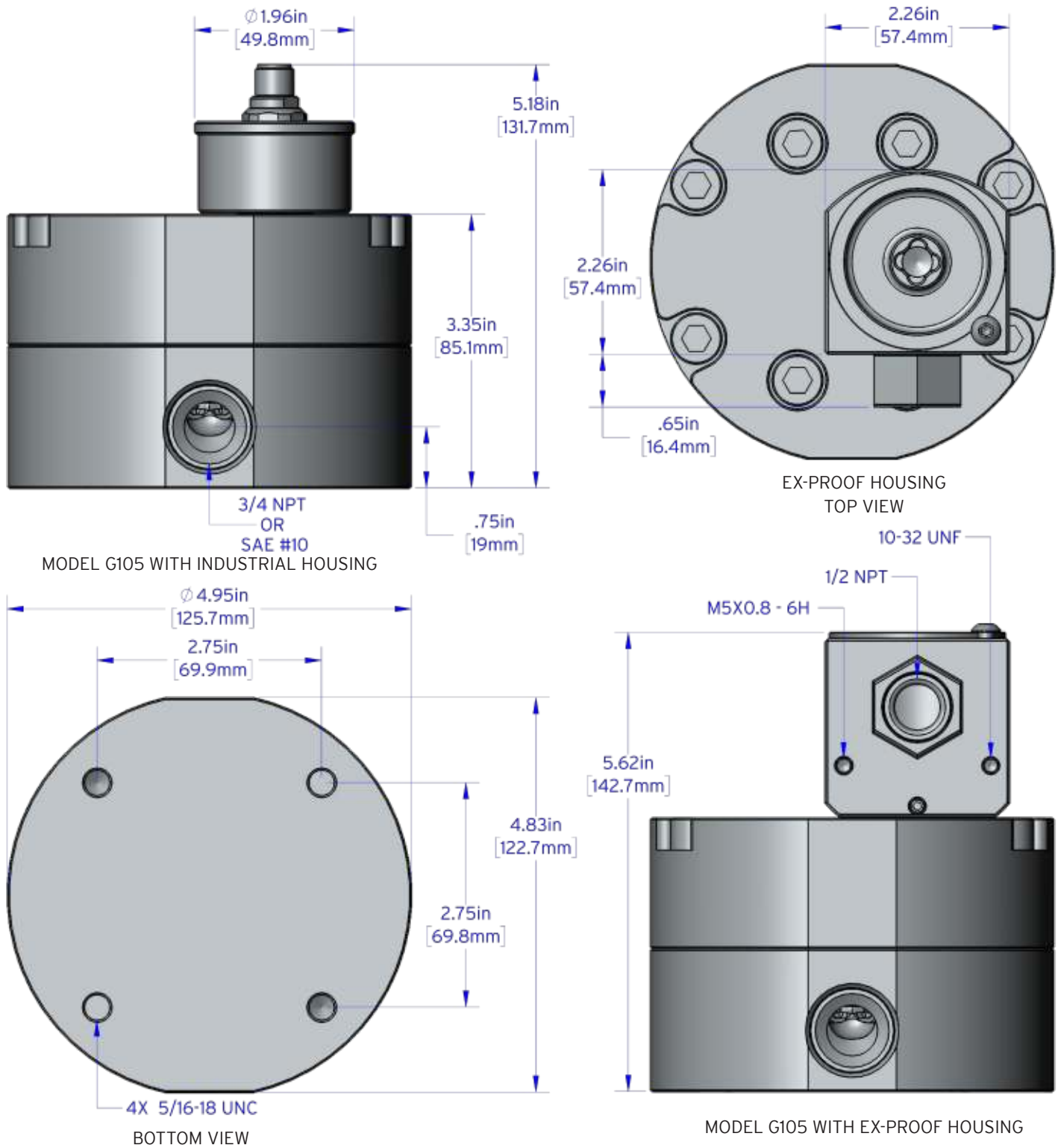
External	Stainless steel, type 303; Xylan Coated Bolts
Wetted	Stainless steel, type 303, 440C, 17-4; Nickel plated SmCo magnet
O-Rings	Standard, Viton® Optional: Teflon®, Perfluoroelastomer

### FREQUENCY TRANSMITTER

Output Signal	Standard: 5 Vdc, single phase Optional: Quadrature 5 Vdc, two phase Current sinking, 20 mA max., single phase
K-Factor	Single Phase: 25 pulses/cc Two Phase: 50 pulses/cc, 4x decoded (12.5 pulses/cc/phase, 1x decoded)
Power Supply Requirements	5 - 26 Vdc, @ 30 mA
Ambient Operational Range	-40°C to 80°C, Single piece – Two piece to 110°C
Metered Liquid Temp Range (based on 20° ambient)	-40°C to 90°C, Standard model -40°C to 155°C, Two piece high temperature model -40°C to 225°C, Two piece, ultra high temperature model
Compliance	CE Certified, Ex-proof version available with ATEX/IECEx II 2 G Ex db IIB Tx Gb as well as UL, cUL certification for Class 1, Division 1, Groups C and D, Tx

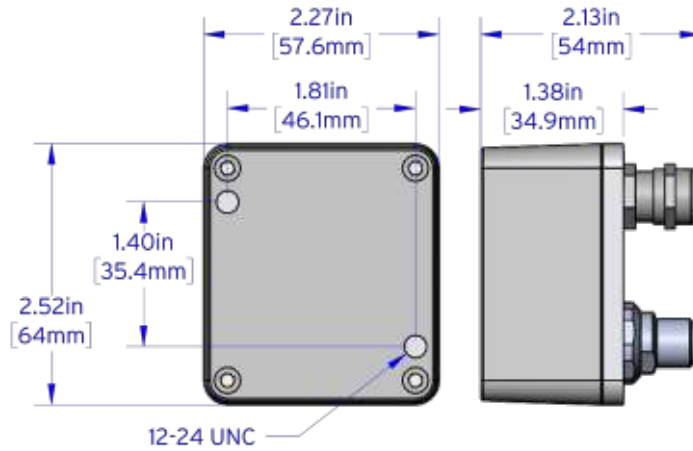
# Model G105 Flow Meter (Frequency)

DIMENSIONS (Not to scale)



# Model G105 Flow Meter (Frequency)

DIMENSIONS (Not to scale)



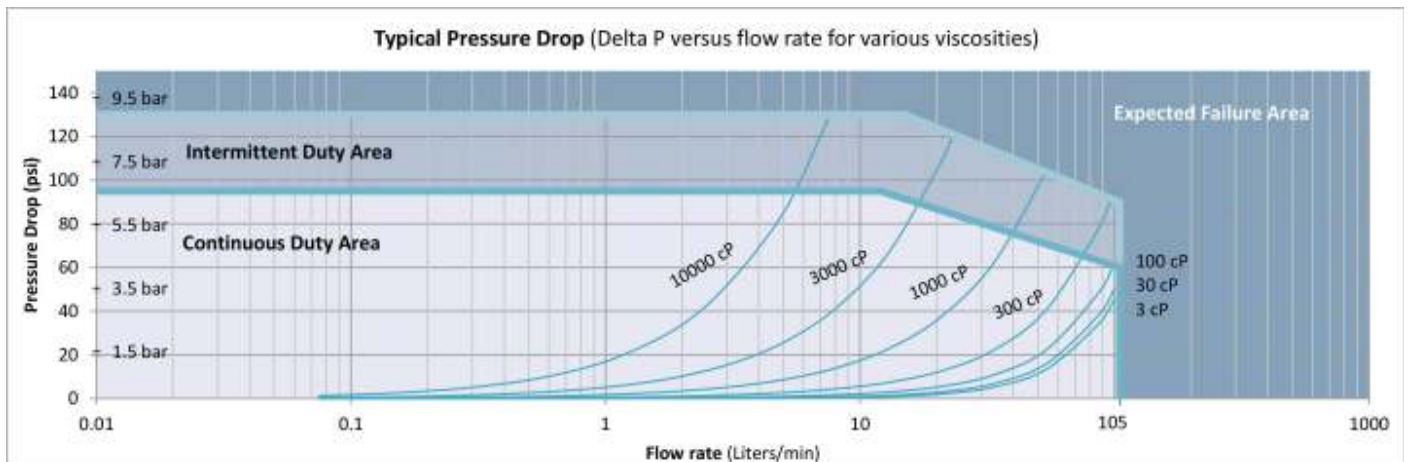
12-24 UNC  
 REMOTE PCA ENCLOSURE FOR HIGH TEMPERATURE TRANSMITTERS  
 (Not Shown: Industrial 2 meter interconnect cable included, Ex-Proof user supplied interconnect cable required)

## CONNECTIVITY

ELECTRICAL CONNECTION – FREQUENCY TRANSMITTERS

PCA Label	Turck® Connector	
	Pin #	Mating Cable Wire Color
Power (+5 to 26 Vdc)	V+	1 Brown
Common	Com	4 Black
Pulse Output	Ph A	2 White
Output Phase B (Quad only)	Ph B	5 Grey
Case Ground	Case	3 Blue

## PRESSURE DROP GRAPH



## Positive Displacement Flow Meters Gear Type, G-Series

Flow Meter Selections      Transmitter Selections

Model #   HS   /    / 1 -  Non-Standard Options

Bi-Directional Cal: BID

1 Transmitter Type

### Max Flow Range

4 Liters/Min	G004
15 Liters/Min	G015
45 Liters/Min	G045
105 Liters/Min	G105
240 Liters/Min	G240

### Pressure

6000 psi (414 bar) HS

Note: G240 limited to 4000 psi (240 bar)  
if specified with NPT connections

### Fluid Connection

NPT	1
SAE	2

### Seal Selection

Viton® - FKM	1
Teflon® - PTFE***	3
Perfluoroelastomer - FFKM	5

### Options

None	NA
Heat Trace Option	HT

### Output Type

A	A	4-20mA Output - Powered by 24 Vdc
A	B	4-20mA Output - Powered by 12 Vdc
A	C	0-10 Volt Output - Powered by 24 Vdc
A	D	0-10 Volt Output - Powered by 12 Vdc
P	N	5V Pulse/Freq. - Powered by 5-26 Vdc
Q	N	5V Quadrature - Powered by 5-26 Vdc
P	S	Current Sinking, Single Phase

### Temperature Rating

- 90°C Industrial / 75°C Haz-Loc
- 155°C Ind. / 130°C Haz-Loc, 2 Part \*\*
- 225°C Industrial, 2 Part †

### Electrical Connection

- Industrial, Turck® Connector
- Hazardous Location, 1/2 Inch Conduit\*

### Signal Type

P	Pulse
A	Analog
Q	Quadrature

\* See temp chart in product manual.  
 \*\* Receiver portion of 2 part transmitters are not rated Ex-Proof, consult factory.  
 \*\*\* Teflon® not used above 90°C for this high pressure rated product.  
 † Not available for hazardous location use. (Exceeds 130°C temp. limit.)  
 Product includes single directional calibration, bi-directional calibrations for analog and quadrature devices are optional.



Model G015