

## Model G105HZ Gear Flow Meter (Frequency) 75 cc/min to 105 liters/min

### SPECIFICATIONS

Flow Range	75 cc/min to 105 liters/min
Accuracy (at 30 cP)	± 0.3% of reading over a 100:1 range
Maximum Operating Pressure	6000 psi (414 bar)
Weight	7.7 kg
Recommended Filtration	30 micron
Port Size(s)	3/4" NPT or #10 SAE
Fluids	Most non-aqueous, hydrocarbon based fluids



### MATERIALS OF CONSTRUCTION

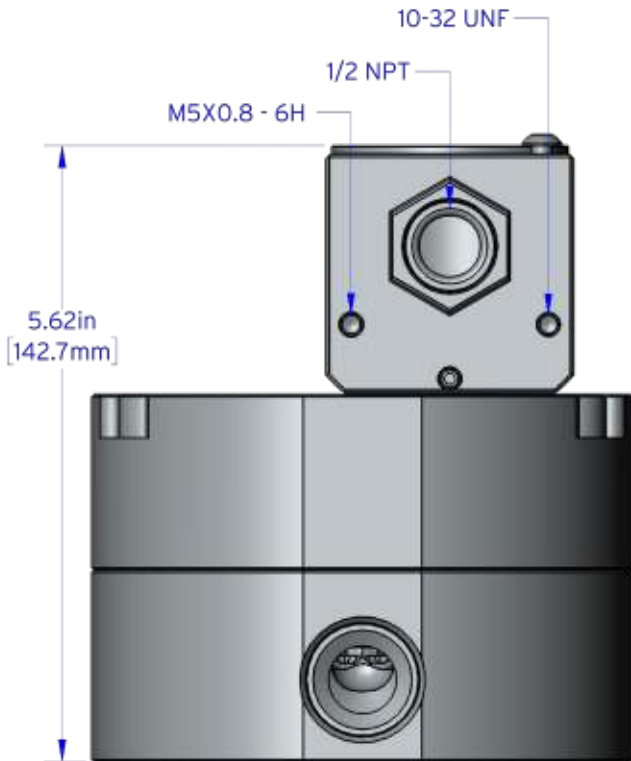
External	Stainless steel, type 316; type 17-4 Bolts
Wetted	Stainless steel, type 316, 440C, 17-4 Nickel plated SmCo magnet
O-Rings	Standard: Viton® Optional: Teflon®, Perfluoroelastomer

### FREQUENCY TRANSMITTER

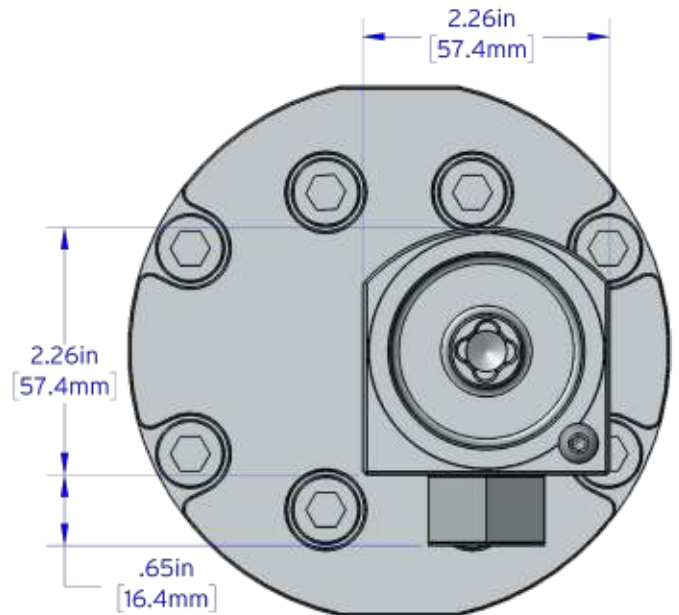
Output Signal	Standard: 5 Vdc, single phase Optional: Quadrature 5 Vdc, two phase Current sinking, 20 mA max., single phase
K-Factor	Single Phase: 25 pulses/cc Two Phase: 50 pulses/cc, 4x decoded (12.5 pulses/cc/phase, 1x decoded)
Power Supply Requirements	5 - 26 Vdc, @ 30 mA
Ambient Operational Range	-40°C to 75°C, Single piece – Two piece to 110°C
Metered Liquid Temp Range (based on 20° ambient)	-40°C to 75°C, Standard model -40°C to 130°C, Two piece high temperature model
Compliance	CE Certified, Ex-proof version available with ATEX/IECEx II 2 G Ex db IIB Tx Gb as well as UL, cUL certification for Class 1, Division 1, Groups C and D, Tx

# Model G105HZ Flow Meter (Frequency)

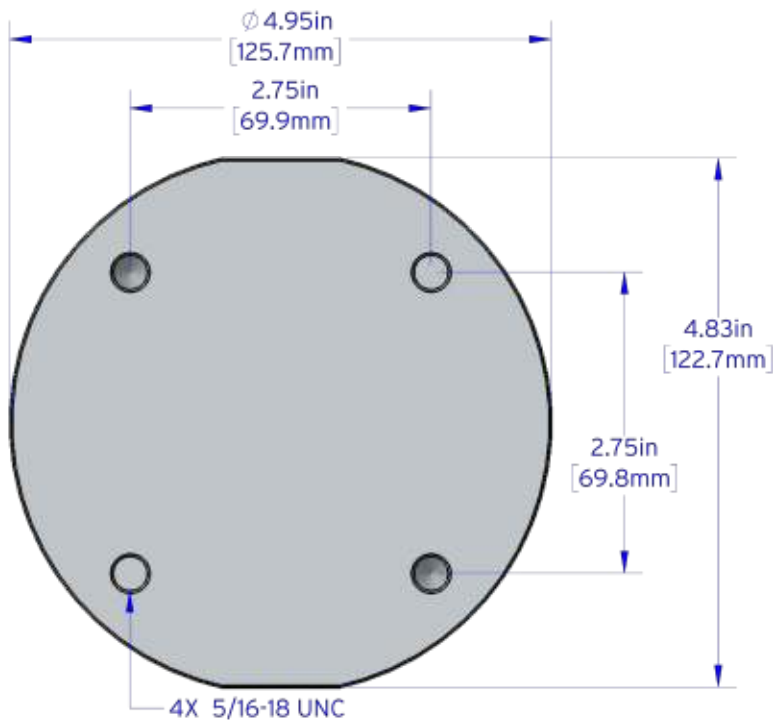
DIMENSIONS (Not to scale)



MODEL G105 WITH EX-PROOF HOUSING



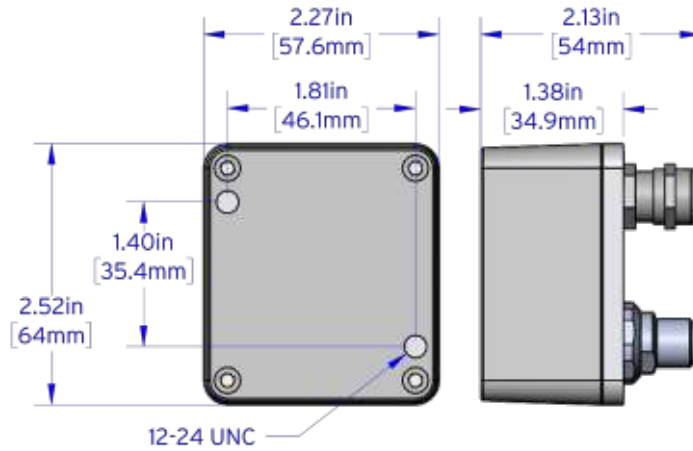
EX-PROOF HOUSING  
TOP VIEW



BOTTOM VIEW

# Model G105HZ Flow Meter (Frequency)

## DIMENSIONS (Not to scale)



REMOTE PCA ENCLOSURE FOR HIGH TEMPERATURE TRANSMITTERS  
(User supplied interconnect cable required, not shown)

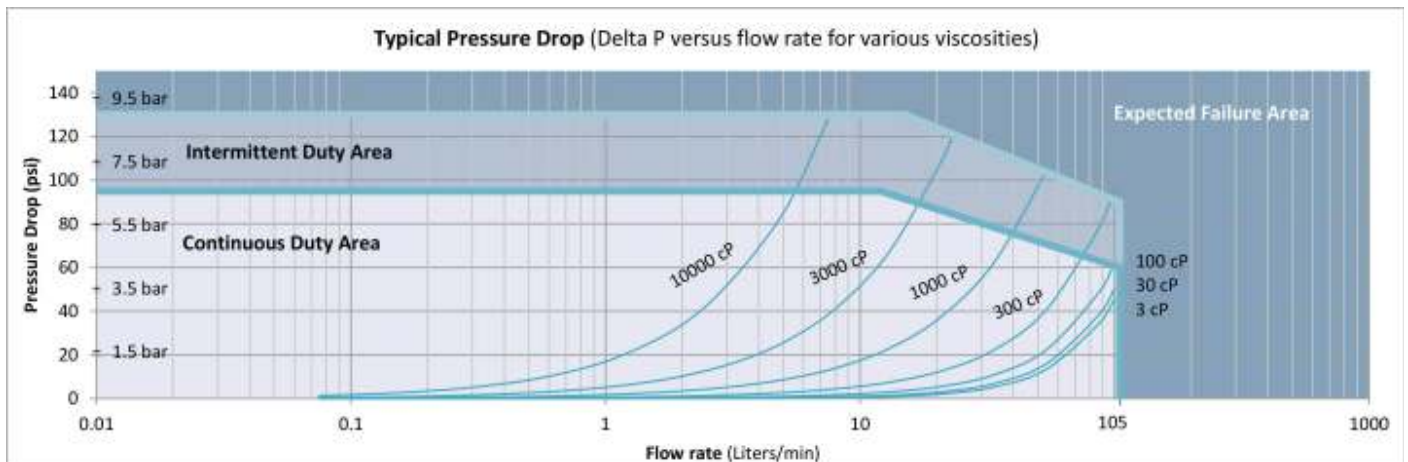
## CONNECTIVITY

Pulse Output Wiring	Pulse PCB Label	Analog Output Wiring	Analog PCB Label	Wiring Adaptor Pin #	Two Part Transmitter Wiring	
					Ex-Proof Sender (Example: EX29x-051-000)	Remote Receiver (Example: EX296-x8x-xxx)
Power *	V+	Power	V+	1	Case	Case
Common	Com	Common	Com	2	5V	5V
Signal Output	PhA	Signal Output (+)	Sig	3	Ra	Ra
(Quad only)	PhB	Signal Output (-)	Ret	4	Rb	Rb
Case Ground	Case	Case Ground	Case	5	Com	Com

For reference only. See Installation Instructions - Hazardous Locations document EXInstallEnglish-Rev3-MultiLanguage-Rev2019A

\* Please specify 12Vdc or 24Vdc operation

## PRESSURE DROP GRAPH





Max Machinery, Inc.  
an ISO 9001:2015 certified company

# Positive Displacement Flow Meters

## Gear Type, G-Series, 316 Stainless Steel

Flow Meter Selections      Transmitter Selections

Model #  HZ 1  NA /  2  / 1 -  Non-Standard Options

Bi-Directional Cal: BID

1 Transmitter Type

### Max Flow Range

4 Liters/Min    G004  
15 Liters/Min   G015  
45 Liters/Min   G045

### Pressure

6000 psi (414 bar)    HZ

### Fluid Connection

NPT 1

### Seal Selection

Viton® - FKM    1  
Teflon® - PTFE\*\*\*    3  
Perfluoroelastomer - FFKM    5

### Options

None    NA

### Output Type

A    4-20mA Output - Powered by 24 Vdc  
A    4-20mA Output - Powered by 12 Vdc  
A    0-10 Volt Output - Powered by 24 Vdc  
A    0-10 Volt Output - Powered by 12 Vdc  
P    5V Pulse/Freq. - Powered by 5-26 Vdc  
Q    5V Quadrature - Powered by 5-26 Vdc  
P    Current Sinking, Single Phase

### Temperature Rating

1    75°C Haz-Loc  
2    130°C Haz-Loc, 2 Part\*\*

### Electrical Connection

2    Hazardous Location, 1/2 Inch Conduit\*

### Signal Type

P    Pulse  
A    Analog  
Q    Quadrature

- \* See temp chart in product manual.
- \*\* Receiver portion of 2 part transmitters are not rated Ex-Proof, consult factory.
- \*\*\* Teflon® not used above 90°C for this high pressure rated product.

Product includes single directional calibration, bi-directional calibrations for analog and quadrature devices are optional.



Model G045HZ