

## Model H242 Helical Flow Meter (Analog)

### 1 liter/min to 500 liters/min

#### SPECIFICATIONS

Flow Range	1 liter/min to 500 liters/min
Accuracy (at 30 cP)	± 0.2% of reading over a 50:1 range
Maximum Operating Pressure	500 psi (35 bar) - NPT Only 3500 psi (240 bar) - ANSI Flange Only
Weight	18.5 kg
Recommended Filtration	150 micron
Port Size(s)	2 1/2" NPT 2 1/2" (DN 65) ANSI RF flanges - Customer Supplied
Fluids	Most non-aqueous, hydrocarbon based liquids
Options	Liquid heat trace bodies available



Model H242

#### MATERIALS OF CONSTRUCTION

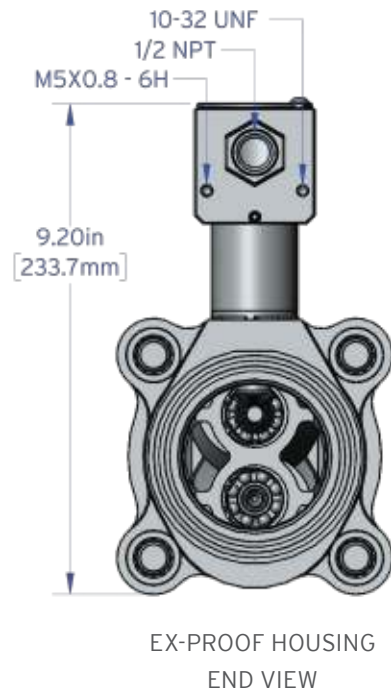
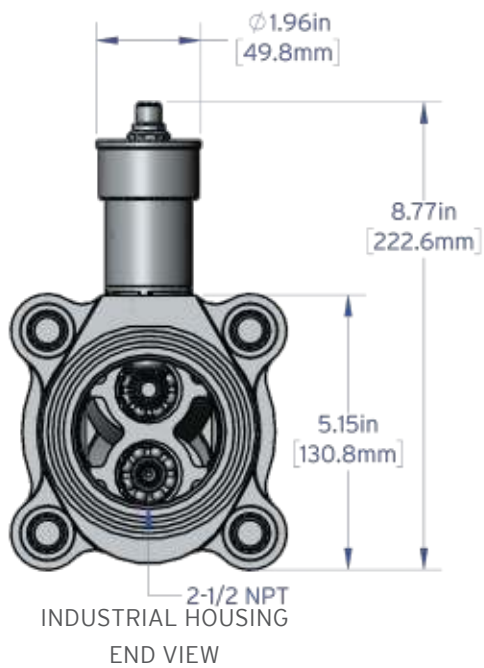
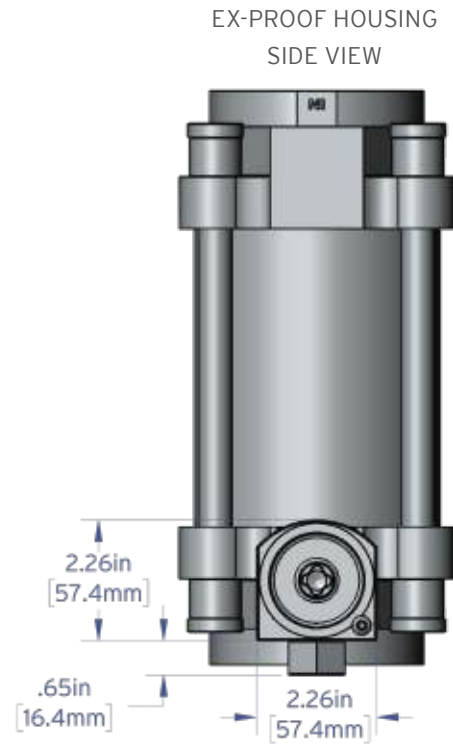
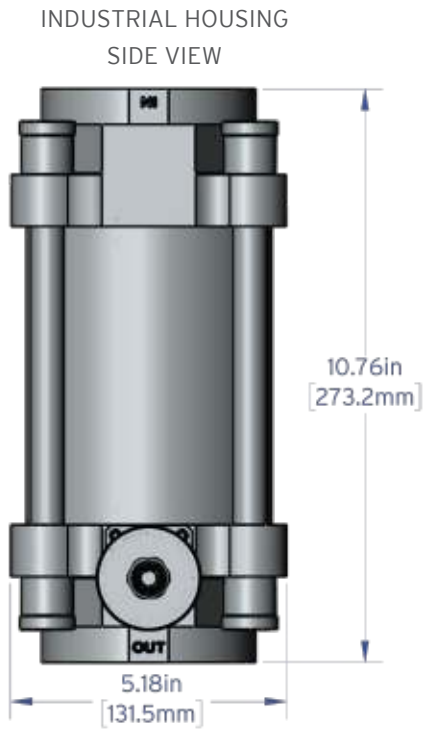
External	Stainless steel, type 303, Nitrided type 303; Zinc plated bolts
Wetted	Stainless steel, type 303, Nitrided type 303, 440C; Alnico magnet
O-Rings	Standard: Viton® Optional: Teflon®, Perfluoroelastomer

#### ANALOG TRANSMITTER

Output Signal	Any range of ± 10V or ± 20mA Linearized and damped with anti-dither protection
Power Supply Requirements	Two Models: 12Vdc @ 90 mA, 24Vdc @ 45 mA
Ambient Operational Range	-40°C to 80°C, Single piece – Two piece to 110°C
Metered Liquid Temp Range (based on 20° ambient)	-40°C to 90°C, Standard model -40°C to 225°C, Two piece high temperature model
Compliance	CE Certified, Ex-proof version available with ATEX/IECEx II 2 G Ex db IIB Tx Gb as well as UL, cUL certification for Class 1, Division 1, Groups C and D, Tx

# Model H242LS Flow Meter

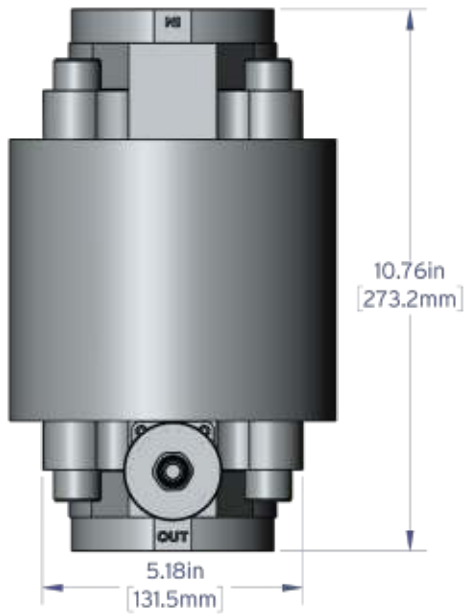
DIMENSIONS (Not to Scale)



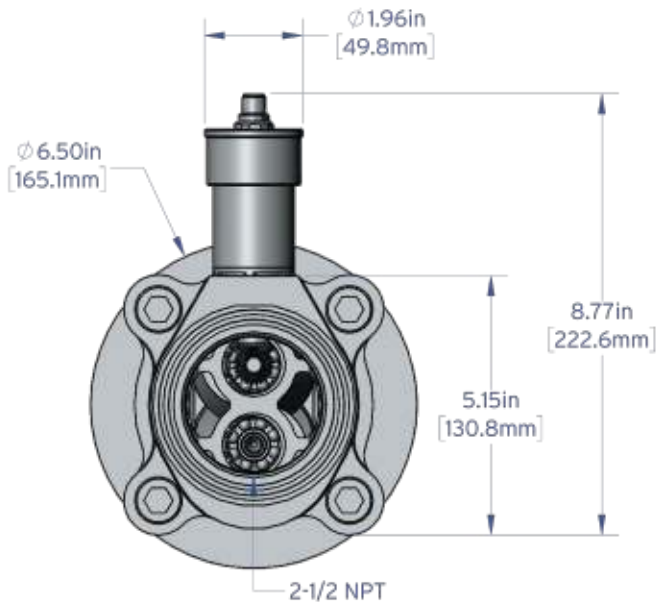
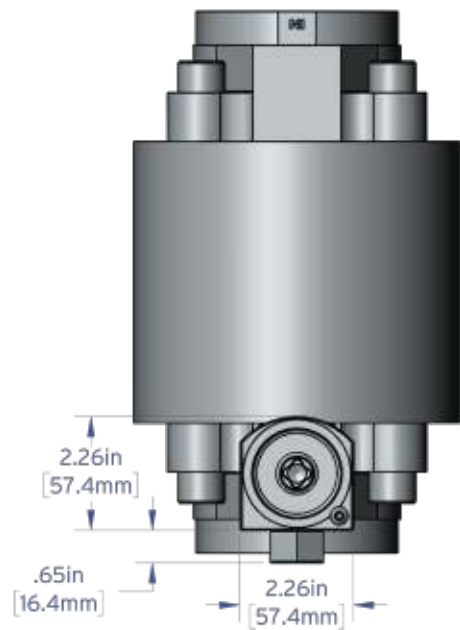
# Model H242MS Flow Meter

DIMENSIONS (Not to Scale)

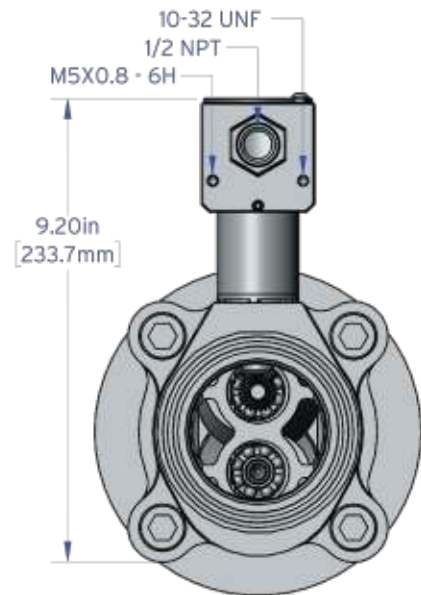
INDUSTRIAL HOUSING  
SIDE VIEW



EX-PROOF HOUSING  
SIDE VIEW



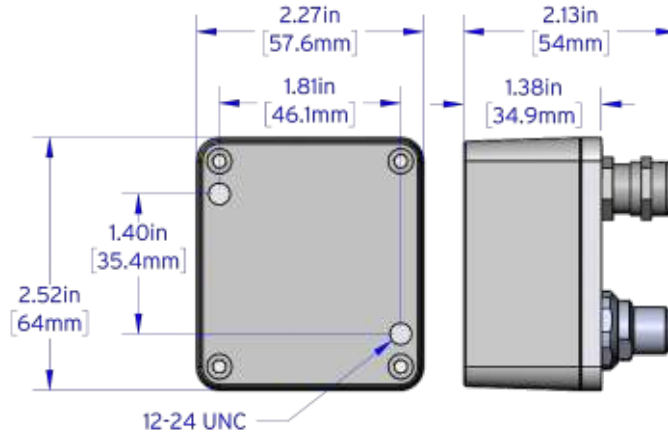
INDUSTRIAL HOUSING  
END VIEW



EX-PROOF HOUSING  
END VIEW

# Model H242 Flow Meter

## DIMENSIONS (Not to Scale)



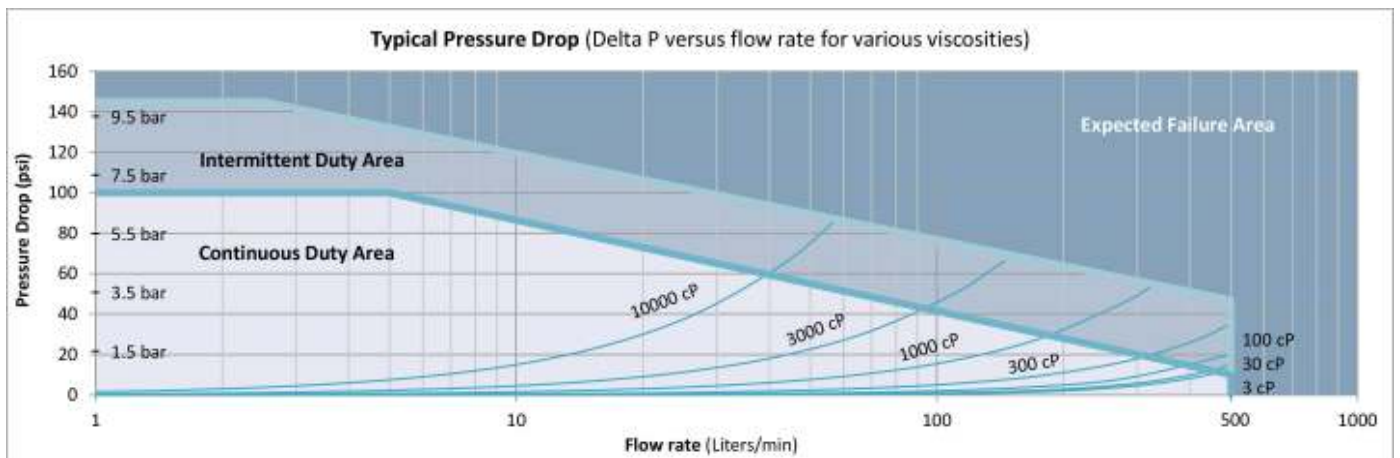
REMOTE PCA ENCLOSURE FOR HIGH TEMPERATURE TRANSMITTERS  
 (Not Shown: Industrial 2 meter interconnect cable included, Ex-Proof user supplied interconnect cable required)

## CONNECTIVITY

### ELECTRICAL CONNECTION – ANALOG TRANSMITTERS

PCA Label	Turck® Connector		
	Pin #	Mating Cable Wire Color	
Power *	V+	1	Brown
Common	Com	4	Black
Signal Output (+)	Sig	5	Grey
Signal Output (-)	Ret	2	White
Case Ground	Case	3	Blue

## PRESSURE DROP GRAPH





Max Machinery, Inc.  
an ISO 9001:2015 certified company

# Positive Displacement Flow Meters

## Helical Rotor Type, H-Series

Flow Meter Selections      Transmitter Selections

Model #      /     /  -  Non-Standard Options

Bi-Directional Cal: BID

0 Transmitter Type

### Max Flow Range

189 Liters/Min	H241	LS	1
189 Liters/Min	H241	MS	5
500 Liters/Min	H242	LS	1
500 Liters/Min	H242	MS	5

### Pressure

500 psi (35 bar)	LS
3500 psi (245 bar)	MS

Includes Flange Bolt Kit (see below)

### Fluid Connection

NPT	1
Wafer-Mounted Between Customer's Flanges	5

### Seal Selection

Viton® - FKM	1
Teflon® - PTFE	3
Perfluoroelastomer - FFKM	5

### Options

None	NA
Heat Trace Option	HT

### Output Type

A	A	4-20mA Output - Powered by 24 Vdc
A	B	4-20mA Output - Powered by 12 Vdc
A	C	0-10 Volt Output - Powered by 24 Vdc
A	D	0-10 Volt Output - Powered by 12 Vdc
P	N	5V Pulse - Powered by 5-26 Vdc
Q	N	5V Quadrature - Powered by 5-26 Vdc
P	S	Current Sinking, Single Phase

### Temperature Rating

1	90°C Industrial / 75°C Haz-Loc
2	130°C Haz-Loc Only, 2 Part **
3	225°C Industrial, 2 Part †

### Electrical Connection

1	Industrial, Turck® Connector
2	Hazardous Location, 1/2 Inch Conduit*

### Signal Type

P	Pulse
A	Analog
Q	Quadrature

### Flange Bolt Kit Details

Model H241 Bolts	3500 psi Bolt Kit for 2500 lb. ANSI Flanges
Model H242 Bolts	3500 psi Bolt Kit for 1500 lb. ANSI Flanges

\* See temp chart in product manual.

\*\* Receiver portion of 2 part transmitters are not rated Ex-Proof, consult factory.

† Not available for hazardous location use. (Exceeds 130°C temp. limit.)

Product includes single directional calibration; bi-directional calibrations for Analog and Quadrature devices are optional.

ANSI Flanges supplied by customer.