



Model P234-MEKP Flow Meter Variants

SPECIFICATIONS

Flow Range	1 to 500 cc/min
Accuracy (1 cP)	± 0.4% of reading over a 33:1 range
Maximum Operating Pressure	3000 psi (210 bar)
Weight	4.1 kg
Recommended Filtration	10 micron
Port Size(s)	1/4 inch NPT or G 1/4-19 BSPP
Fluids	Most aqueous based fluids with a pH between 4 and 12, specifically suited for methyl ethyl ketone peroxide

MATERIALS OF CONSTRUCTION

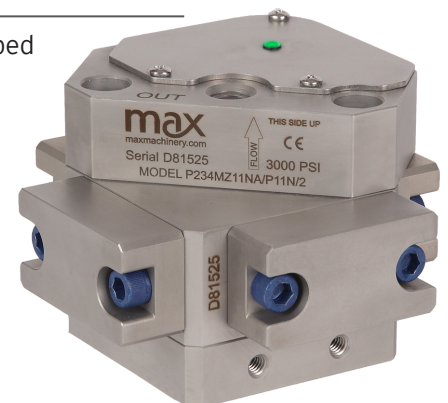
External	Stainless steel, type 316, type 304; Blue Xylan 316 fasteners; Polycarbonate LED cover - avoid contact with solvents
Wetted	Stainless steel, type 316; Graphite; PEEK; Expanite hardened 316SS
O-Rings	Standard: Viton® Optional: Teflon®, Perfluoroelastmer

FREQUENCY TRANSMITTER

Output Signal	Standard: 5 Vdc, single phase Optional: Quadrature 5 Vdc, two phase Current sinking, 20 mA max., single phase
K-Factor	Single Phase: 180 pulses/cc Two Phase: 360 pulses/cc, 4x decoded (90 pulses/cc/phase, 1x decoded)
Power Supply Requirements	5-26 Vdc @ 30ma
Ambient Operational Range	5°C to 80°C
Metered Liquid Temp Range (based on 20° ambient)	5°C to 90°C

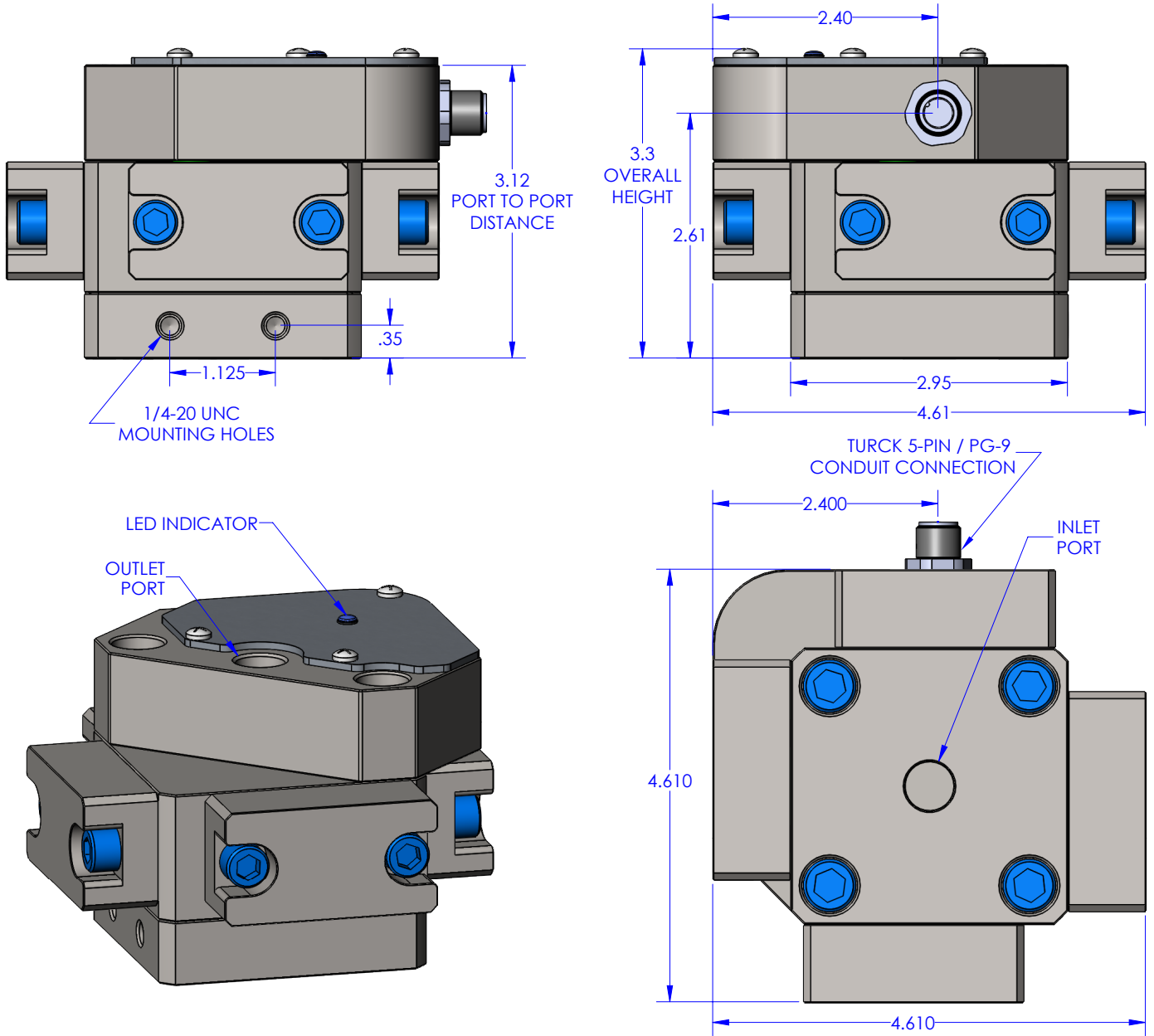
ANALOG TRANSMITTER

Output Signal	Any range of ± 10V or ± 20mA linearized and damped with anti-dither protection
Power Supply Requirements	24Vdc @ 45 mA
Ambient Operational Range	5°C to 80°C
Metered Liquid Temp Range (based on 20° ambient)	5°C to 90°C

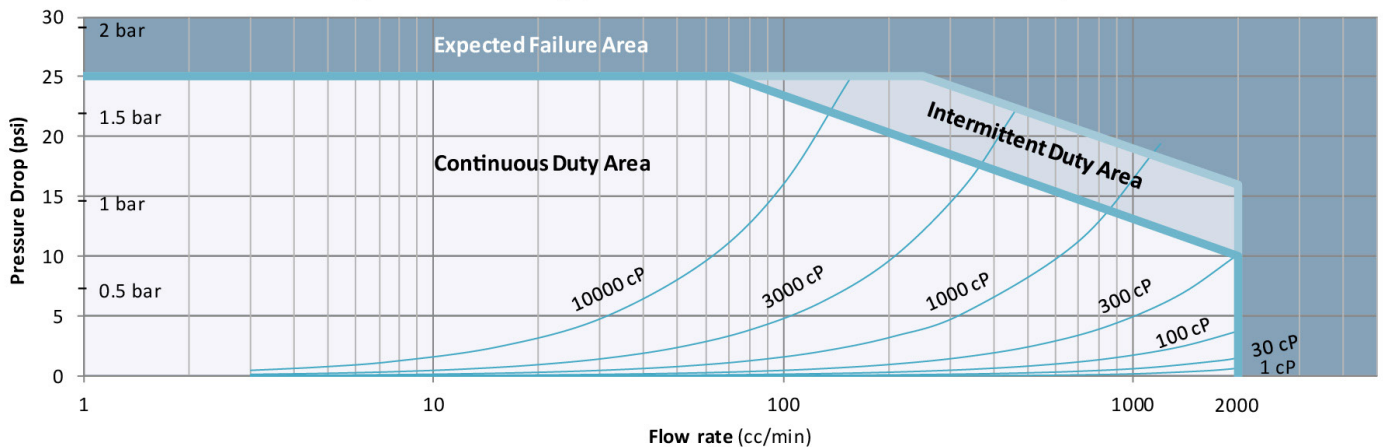


Model P234-MEKP Flow Meter Variants

DIMENSIONS (Not to scale)



Typical Pressure Drop (Delta P versus flow rate for various viscosities)



Positive Displacement Flow Meters

Piston Type, P-Series 3000 psi (210 bar) rated, MEKP Based Fluids

Part Number	Fluid Connection	Transmitter
P234-MEKP-001	NPT	Pulse: 5V Frequency. - Powered by 5-26 Vdc
P234-MEKP-002	NPT	Pulse: Current Sinking, Single Phase
P234-MEKP-003	NPT	Quadrature: 5V A/B signal - Powered by 5-26 Vdc
P234-MEKP-004	NPT	Analog: 4-20mA Output - Powered by 24 Vdc
P234-MEKP-005	NPT	Analog: 0-10 Volt Output - Powered by 24 Vdc
P234-MEKP-010	BSPP	Pulse: 5V Frequency. - Powered by 5-26 Vdc
P234-MEKP-020	BSPP	Pulse: Current Sinking, Single Phase
P234-MEKP-030	BSPP	Quadrature: 5V A/B signal - Powered by 5-26 Vdc
P234-MEKP-040	BSPP	Analog: 4-20mA Output - Powered by 24 Vdc
P234-MEKP-050	BSPP	Analog: 0-10 Volt Output - Powered by 24 Vdc
P234-MEKP-100	SAE	Pulse: 5V Frequency. - Powered by 5-26 Vdc
P234-MEKP-200	SAE	Pulse: Current Sinking, Single Phase
P234-MEKP-300	SAE	Quadrature: 5V A/B signal - Powered by 5-26 Vdc
P234-MEKP-400	SAE	Analog: 4-20mA Output - Powered by 24 Vdc
P234-MEKP-500	SAE	Analog: 0-10 Volt Output - Powered by 24 Vdc

-BID option: Product includes single directional calibration, bi-directional calibrations for Analog and Quadrature devices are optional.

All options or variations not listed above are standard across all meter variants. All P234-MEKP meters come with Perfluoroelastomer seals, Industrial housing rated to 90 C, and Turck M12 connector.

