



Model P234MZ Piston Flow Meter (Analog)

1 to 2000 cc/min

SPECIFICATIONS

Flow Range	1 to 2000 cc/min
Accuracy (1 cP)	± 0.4% of reading over a 100:1 range
Maximum Operating Pressure	3000 psi (210 bar)
Weight	4.1 kg
Recommended Filtration	10 micron
Port Size(s)	1/4 inch NPT or G 1/4-19 BSPP
Fluids	Most aqueous based fluids with a pH between 4 and 12

MATERIALS OF CONSTRUCTION

External	Stainless steel, type 316, type 304; Blue Xylan 316 fasteners; Polycarbonate LED cover - avoid contact with solvents
Wetted	Stainless steel, type 316; Graphite; PEEK; Nickel Carbide
O-Rings	Standard: Viton® Optional: Teflon®, Perfluoroelastmer

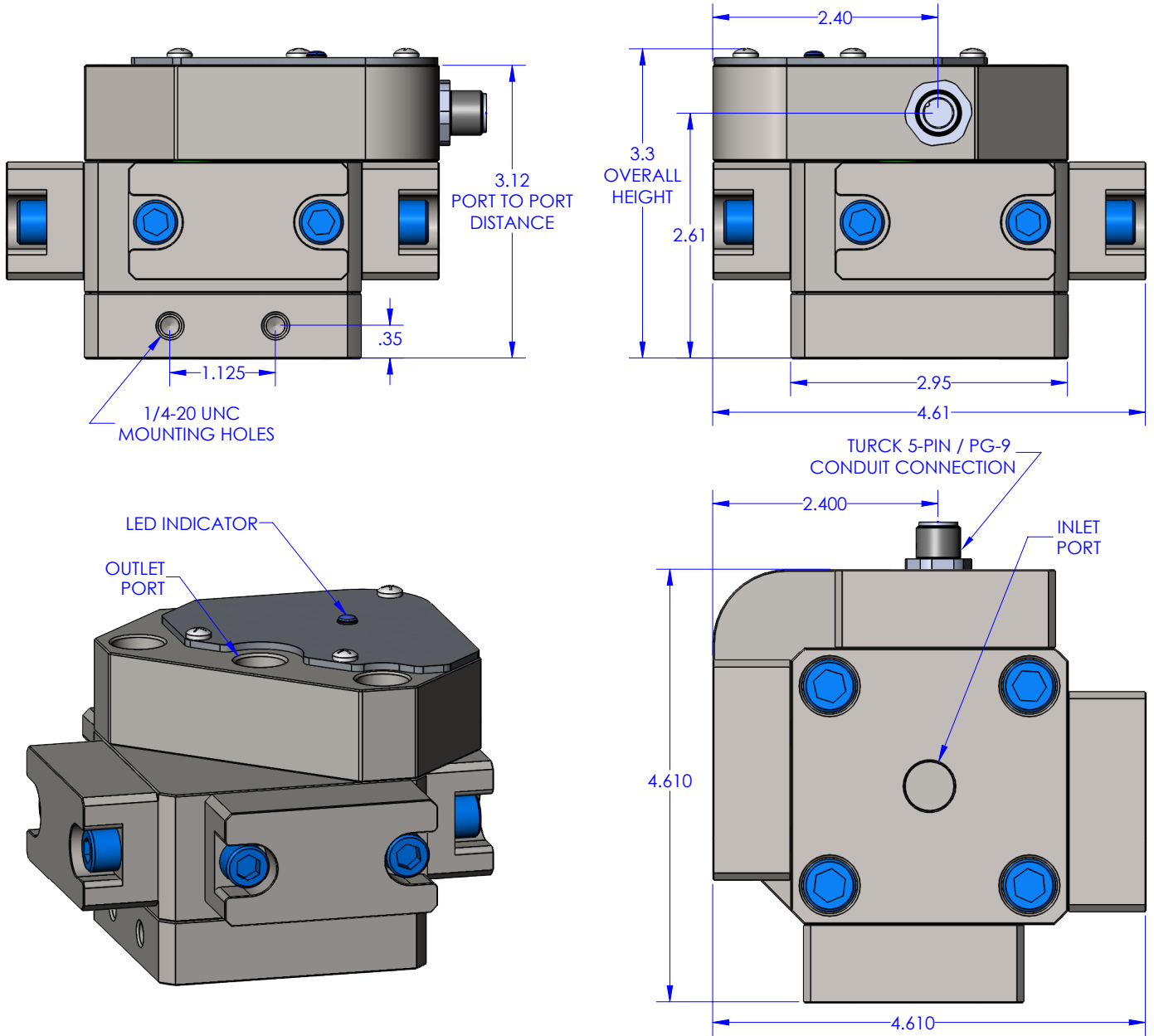
ANALOG TRANSMITTER

Output Signal	Any range of ± 10V or ± 20mA linearized and damped with anti-dither protection
Power Supply Requirements	12Vdc @ 90 mA, 24Vdc @ 45 mA
Ambient Operational Range	5°C to 80°C
Metered Liquid Temp Range (based on 20° ambient)	5°C to 90°C

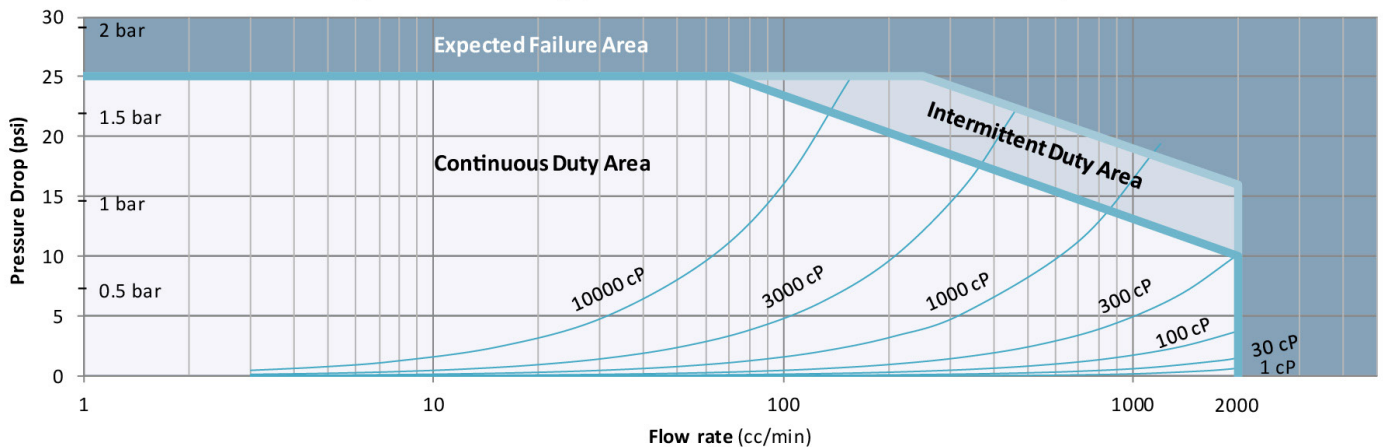


Model P234MZ Flow Meter (Analog)

DIMENSIONS (Not to scale)



Typical Pressure Drop (Delta P versus flow rate for various viscosities)





Max Machinery, Inc.
an ISO 9001:2015 certified company

Positive Displacement Flow Meters

Piston Type, P-Series 3000 psi (210 bar) rated, Water Based Fluids

Flow Meter Selections

Model # MZ NA /

Transmitter Selections

1 1 / 2 - Non-Standard Options

Bi-Directional Cal: BID

2 Transmitter Type

Max Flow Range

2 Liters/Min P234 MZ

A
A
A
A
P
Q
P

Output Type

A 4-20mA Output - Powered by 24 Vdc
B 4-20mA Output - Powered by 12 Vdc
C 0-10 Volt Output - Powered by 24 Vdc
D 0-10 Volt Output - Powered by 12 Vdc
N 5V Pulse/Freq. - Powered by 5-26 Vdc
N 5V Quadrature - Powered by 5-26 Vdc
S Current Sinking, Single Phase

Pressure

3000 psi (210 bar) MZ

Temperature Rating

1 90°C Industrial

Fluid Connection

NPT 1
G-Type / BSPP 6

Electrical Connection

1 Industrial, Turck® Connector

Seal Selection

Viton® - FKM 1
Teflon® - PTFE 3
Perfluoroelastomer - FFKM 5

Signal Type

P Pulse
A Analog
Q Quadrature

Options

None NA



Product includes single directional calibration, bi-directional calibrations for Analog and Quadrature devices are optional.