

Model P001 Piston Flow Meter (Analog) 0.005 to 200 cc/min

SPECIFICATIONS

Flow Range	0.005 to 200 cc/min
Accuracy (3 cP)	± 0.2% of reading over a 200:1 range, or ± 2mV (or 4µA), whichever is greater
Maximum Operating Pressure	7250 psi (500 bar)
Weight	1.1 kg
Recommended Filtration	5 micron
Port Size(s)	1/4" or 6mm tube fitting
Fluids	Most non aqueous, hydrocarbon based fluids

MATERIALS OF CONSTRUCTION

External	Stainless steel, type 316; Xylan coated bolts
Wetted	Stainless steel, type 316, Case Hardened type 316, Specialty 400 Series; Nickel plated SmCo magnet
O-Rings	Standard: Viton® Optional: Perfluoroelastomer

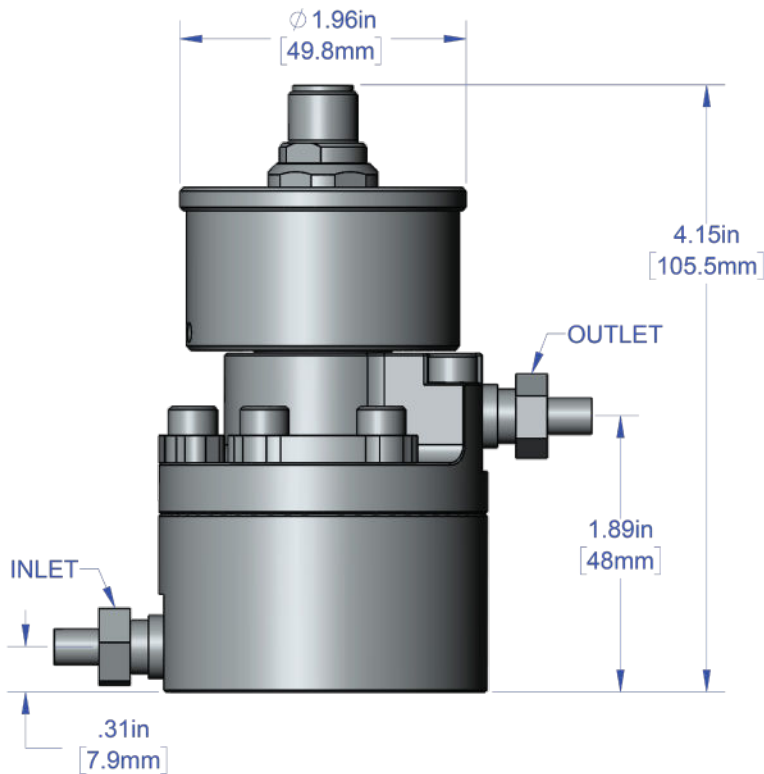


ANALOG TRANSMITTER

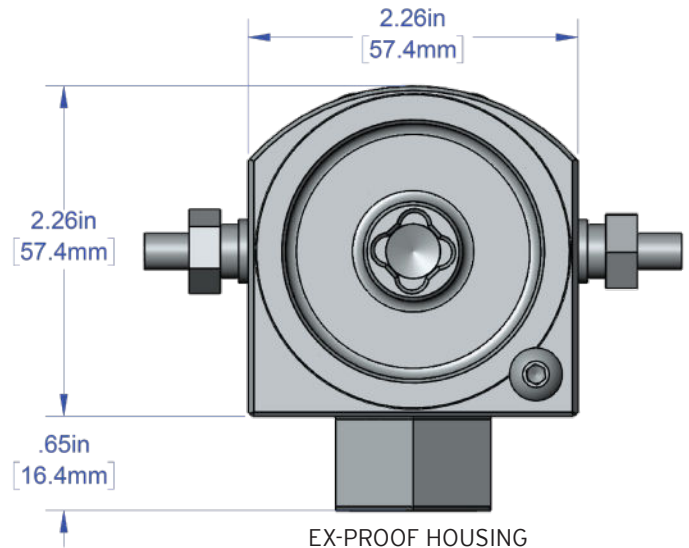
Output Signal	Any range of ± 10V or ± 20mA Linearized and damped with anti-dither protection
Power Supply Requirements	12Vdc @ 90 mA, 24Vdc @ 45 mA
Ambient Operational Range	-40°C to 80°C, Single piece – Two piece to 110°C
Metered Liquid Temp Range (based on 20° ambient)	-40°C to 90°C, Industrial model -40°C to 155°C, Two piece high temperature model -40°C to 225°C, Two piece, ultra high temperature model
Compliance	CE Certified, Ex-proof version available with ATEX/IECEX II 2 G Ex db IIB Tx Gb as well as UL, cUL certification for Class 1, Division 1, Groups C and D, Tx

Model P001 Piston Flow Meter (Analog)

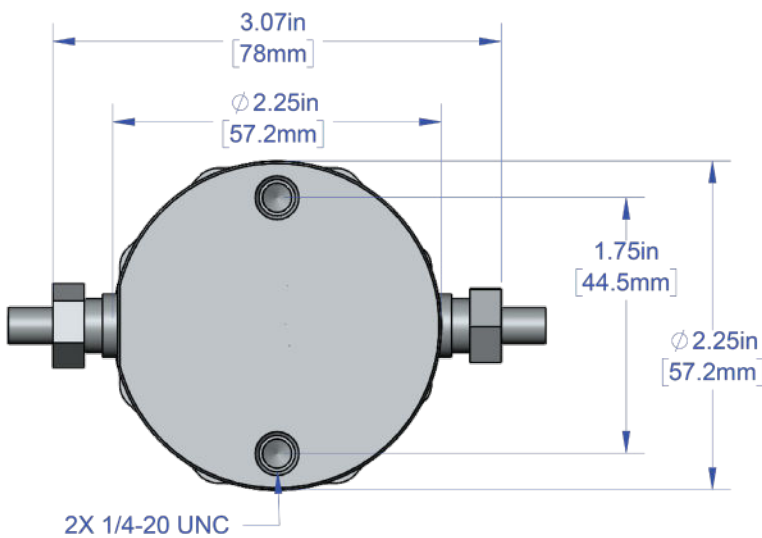
DIMENSIONS (Not to scale)



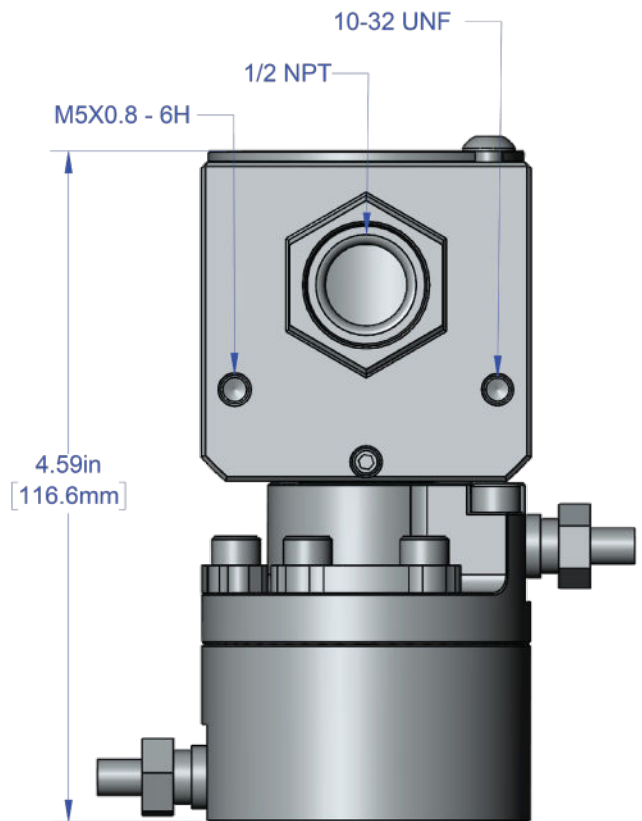
MODEL P001 WITH TUBE PORT AND INDUSTRIAL HOUSING



EX-PROOF HOUSING TOP VIEW



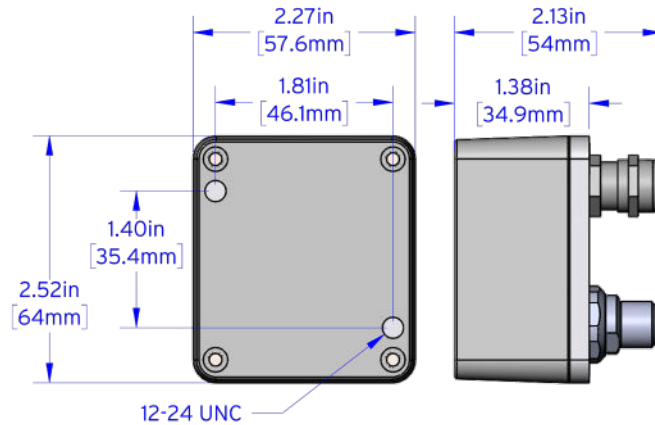
BOTTOM VIEW



MODEL P001 WITH TUBE PORT AND EX-PROOF HOUSING

Model P001 Piston Flow Meter (Analog)

DIMENSIONS (Not to scale)



REMOTE PCA ENCLOSURE FOR HIGH TEMPERATURE TRANSMITTERS
 (Not Shown: Industrial 2 meter interconnect cable included, Ex-Proof user supplied interconnect cable required)

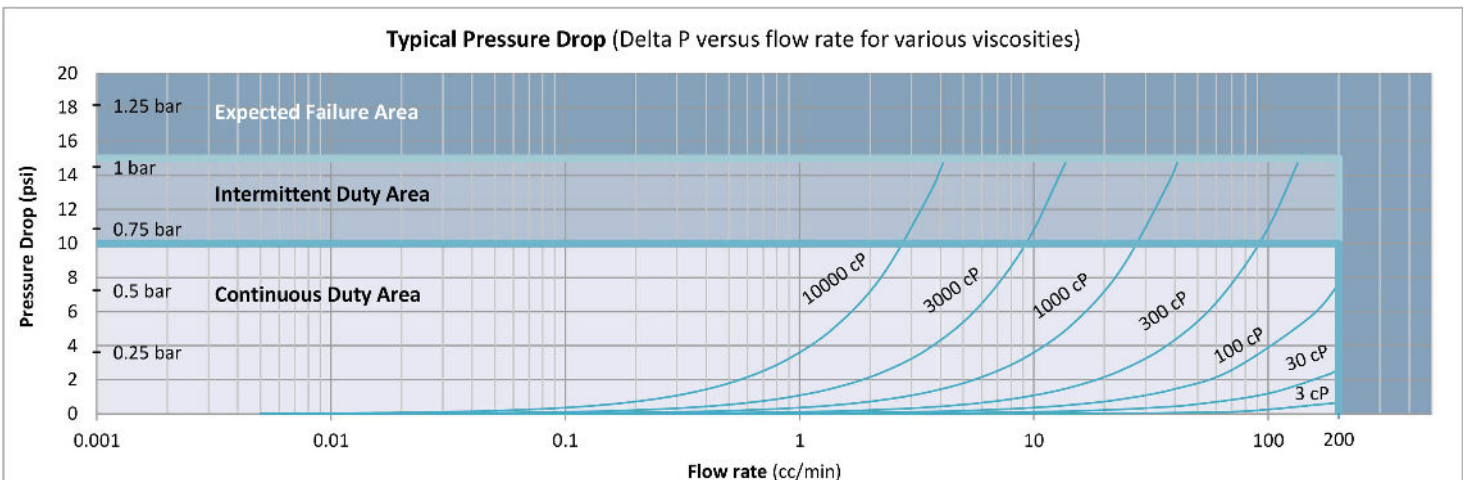
CONNECTIVITY

ELECTRICAL CONNECTION – ANALOG TRANSMITTERS

PCA Label	Turck® Connector	
	Pin #	Mating Cable Wire Color
Power *	V+	1 Brown
Common	Com	4 Black
Signal Output (+)	Sig	5 Grey
Signal Output (-)	Ret	2 White
Case Ground	Case	3 Blue

* Please specify 12Vdc or 24Vdc operation

PRESSURE DROP GRAPH





Max Machinery, Inc.
an ISO 9001:2015 certified company

Positive Displacement Flow Meters

Piston Type, P-Series 7250 psi (500 bar) rated

Flow Meter Selections Transmitter Selections

Model # HS / / 1 - Non-Standard Options

Bi-Directional Cal: BID

Max Flow Range

0.2 Liters/Min	P001	3
2 Liters/Min	P002	2

Pressure

7250 psi (500 bar)	HS
--------------------	----

Fluid Connection

SAE	2
1/4" and 6mm Tube	3

Seal Selection

Viton® - FKM	1
Perfluoroelastomer - FFKM	5

Options

None	NA
------	----

1 Transmitter Type

Output Type

A	A	4-20mA Output - Powered by 24 Vdc
A	B	4-20mA Output - Powered by 12 Vdc
A	C	0-10 Volt Output - Powered by 24 Vdc
A	D	0-10 Volt Output - Powered by 12 Vdc
P	N	5V Pulse/Freq. - Powered by 5-26 Vdc
Q	N	5V Quadrature - Powered by 5-26 Vdc
P	S	Current Sinking, Single Phase

Temperature Rating

1	90°C Industrial, 75°C Haz-Loc
2	155°C Ind./ 130°C Haz-Loc, 2 Part**
3	225°C -Industrial, 2 Part †

Electrical Connection

1	Industrial, Turck® Connector
2	Hazardous Location, 1/2 Inch Conduit*

Signal Type

P	Pulse
A	Analog
Q	Quadrature



* See temp chart in product manual.
 ** Receiver portion of 2 part transmitters are not rated Ex-Proof, consult factory.
 *** Teflon not used above 90°C for this high pressure rated product.
 † Not available for hazardous location use. (Exceeds 130°C temp. Limit.)
 Product includes single directional calibration, bi-directional calibrations for Analog and Quadrature devices are optional.