



# Model P234MZ Piston Flow Meter (Frequency)

## 1 to 2000 cc/min

### SPECIFICATIONS

---

|                            |  |
|----------------------------|--|
| Flow Range                 | 1 to 2000 cc/min                                     |
| Accuracy (1 cP)            | ± 0.4% of reading over a 100:1 range                 |
| Maximum Operating Pressure | 3000 psi (210 bar)                                   |
| Weight                     | 4.1 kg   |
| Recommended Filtration     | 10 micron  |
| Port Size(s)               | 1/4 inch NPT or G 1/4-19 BSPP                        |
| Fluids                     | Most aqueous based fluids with a pH between 4 and 12 |

### MATERIALS OF CONSTRUCTION

---

|          |   |
|----------|---|
| External | Stainless steel, type 316, type 304; Blue Xylan 316 fasteners;<br>Polycarbonate LED cover - avoid contact with solvents |
| Wetted   | Stainless steel, type 316; Graphite; PEEK; Nickel Carbide   |
| O-Rings  | Standard: Viton®<br>Optional: Teflon®, Perfluoroelastmer  |

### FREQUENCY TRANSMITTER

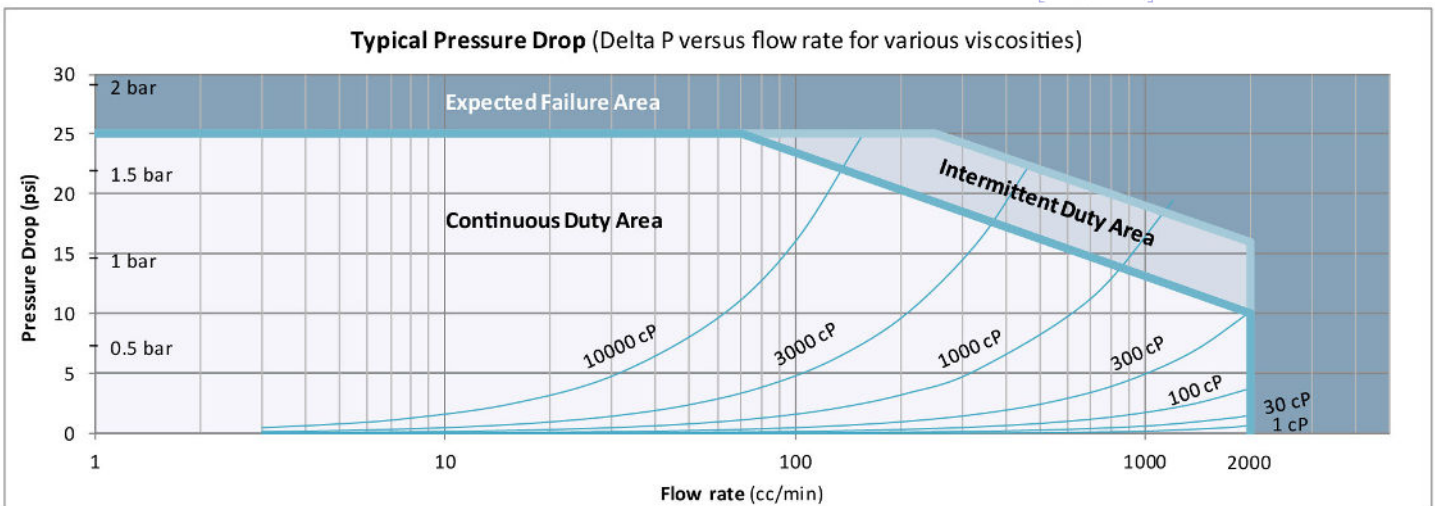
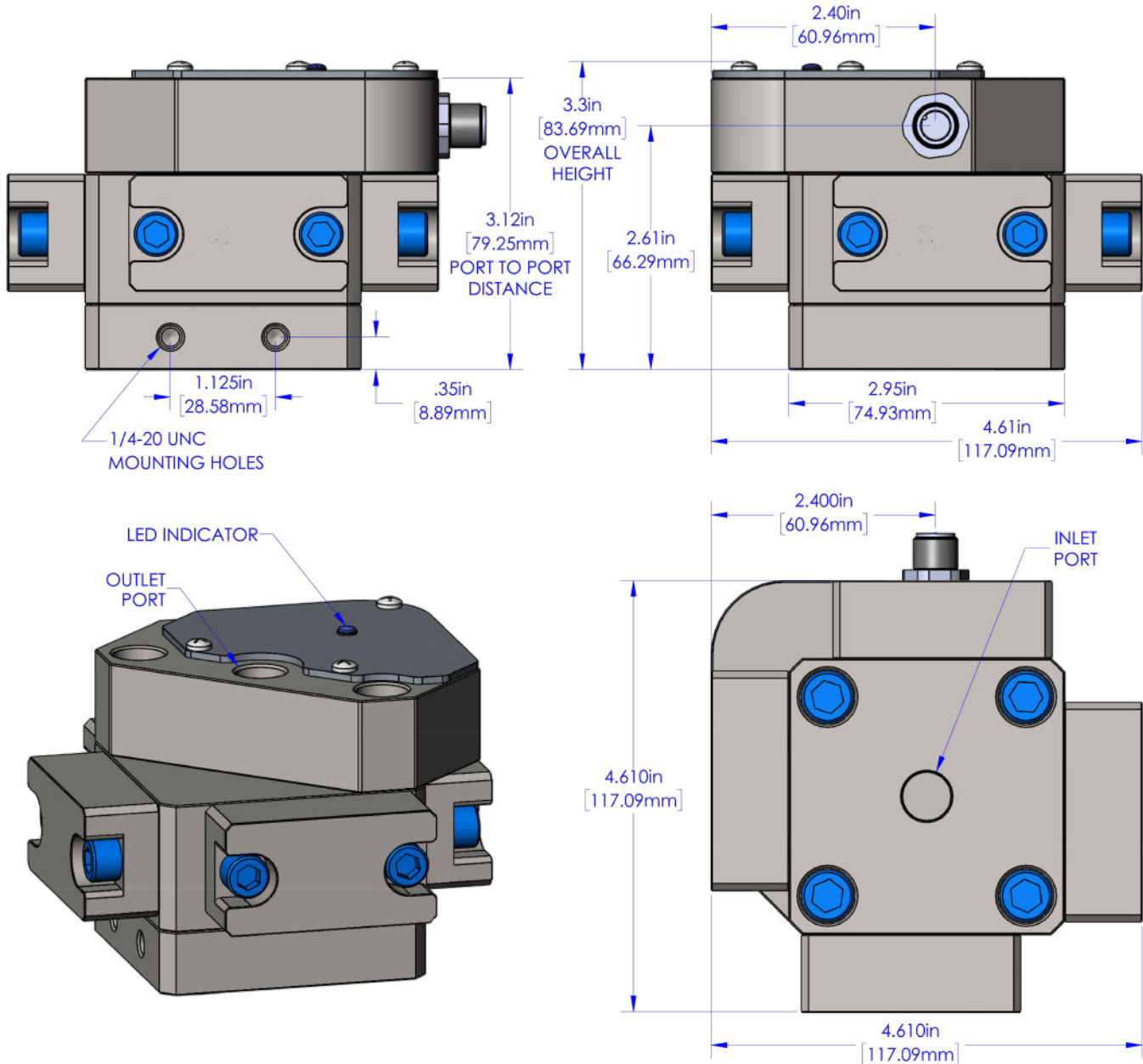
---

|   |   |
|---|---|
| Output Signal                                       | Standard: 5 Vdc, single phase<br>Optional: Quadrature 5 Vdc, two phase<br>Current sinking, 20 mA max., single phase |
| K-Factor  | Single Phase: 180 pulses/cc<br>Two Phase: 360 pulses/cc, 4x decoded<br>(90 pulses/cc/phase, 1x decoded)             |
| Power Supply Requirements                           | 5-26 Vdc @ 30mA   |
| Ambient Operational Range                           | 5°C to 80°C   |
| Metered Liquid Temp Range<br>(based on 20° ambient) | 5°C to 90°C   |



# Model P234MZ Flow Meter (Frequency)

DIMENSIONS (Not to scale)





Max Machinery, Inc.  
an ISO 9001:2015 certified company

# Positive Displacement Flow Meters

## Piston Type, P-Series 3000 psi (210 bar) rated, Water Based Fluids

### Flow Meter Selections

Model #  MZ   NA /

### Transmitter Selections

1  1  /  2 -  Non-Standard Options

Bi-Directional Cal: BID

2 Transmitter Type

#### Max Flow Range

2 Liters/Min P234 MZ

A  
A  
A  
A  
P  
Q  
P

#### Output Type

A 4-20mA Output - Powered by 24 Vdc  
B 4-20mA Output - Powered by 12 Vdc  
C 0-10 Volt Output - Powered by 24 Vdc  
D 0-10 Volt Output - Powered by 12 Vdc  
N 5V Pulse/Freq. - Powered by 5-26 Vdc  
N 5V Quadrature - Powered by 5-26 Vdc  
S Current Sinking, Single Phase

#### Pressure

3000 psi (210 bar) MZ

#### Temperature Rating

1 90°C Industrial

#### Fluid Connection

NPT 1  
G-Type / BSPP 6

#### Electrical Connection

1 Industrial, Turck® Connector

#### Seal Selection

Viton® - FKM 1  
Teflon® - PTFE 3  
Perfluoroelastomer - FFKM 5

#### Signal Type

P Pulse  
A Analog  
Q Quadrature

#### Options

None NA



Product includes single directional calibration, bi-directional calibrations for Analog and Quadrature devices are optional.