

Model P001LA Piston Flow Meter (Analog) 0.005 to 200 cc/min

SPECIFICATIONS

Flow Range	0.005 to 200 cc/min
Accuracy (3 cP)	± 0.2% of reading over a 200:1 range
Maximum Operating Pressure	250 psi (17 bar)
Weight	0.4 kg
Recommended Filtration	5 micron
Port Sizes	1/4" or 6mm tube fitting
Fluids	Most non-aqueous, hydrocarbon based fluids

MATERIALS OF CONSTRUCTION

External	Hard anodized aluminum type 6061; Xylan coated bolts
Wetted	Hard anodized aluminum type 6061; Stainless steel, type 316, Case Hardened type 316, Specialty 400 Series; Nickel plated SmCo magnet
O-Rings	Standard: Viton® Optional: Perfluoroelastmer

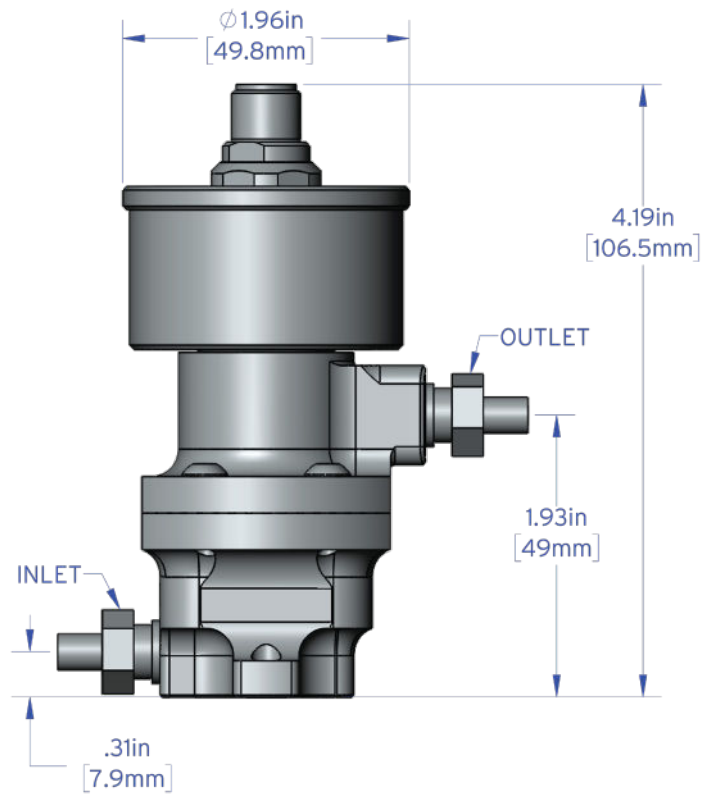


ANALOG TRANSMITTER

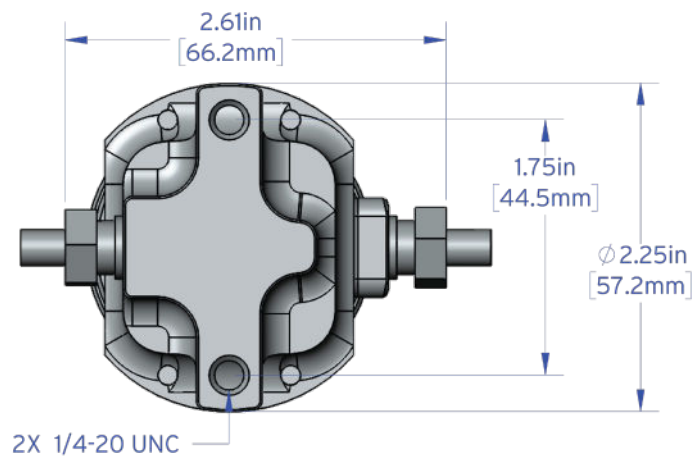
Output Signal	Any range of ± 10V or ± 20mA Linearized and damped with anti-dither protection
Power Supply Requirements	12Vdc @ 90 mA, 24Vdc @ 45 mA
Ambient Operational Range	-40°C to 80°C
Metered Liquid Temp Range (based on 20°C ambient)	-40°C to 90°C

Model P001LA Piston Flow Meter (Analog)

DIMENSIONS (Not to scale)



MODEL P001LA WITH TUBE PORT
AND INDUSTRIAL HOUSING



BOTTOM VIEW

Model P001LA Piston Flow Meter (Analog)

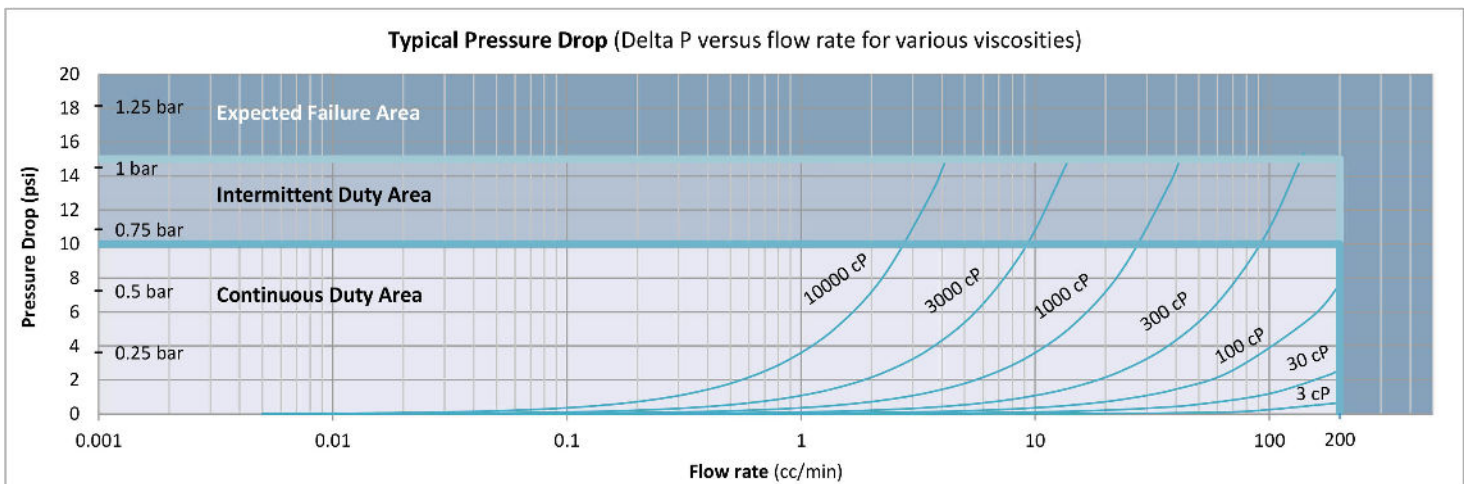
CONNECTIVITY

ELECTRICAL CONNECTION – ANALOG TRANSMITTERS

PCA Label	Turck® Connector		
	Pin #	Mating Cable Wire Color	
Power *	V+	1	Brown
Common	Com	4	Black
Signal Output (+)	Sig	5	Grey
Signal Output (-)	Ret	2	White
Case Ground	Case	3	Blue

* Please specify 12Vdc or 24Vdc operation

PRESSURE DROP GRAPH





Max Machinery, Inc.
an ISO 9001:2015 certified company

Positive Displacement Flow Meters

Piston Type, P-Series 250 psi (17 bar) rated

Flow Meter Selections

Model # LA /

Transmitter Selections

/ -

Non-Standard Options

Bi-Directional Cal: BID

1 Transmitter Type

Max Flow Range

0.2 Liters/Min P001

Pressure

250 psi (17 bar) LA

Fluid Connection

1/4" and 6mm Tube 3

Seal Selection

Viton® - FKM 1

Perfluoroelastomer - FFKM 5

Options

None NA

A
A
A
A
P
Q
P

Output Type

A 4-20mA Output - Powered by 24 Vdc
B 4-20mA Output - Powered by 12 Vdc
C 0-10 Volt Output - Powered by 24 Vdc
D 0-10 Volt Output - Powered by 12 Vdc
N 5V Pulse/Freq. - Powered by 5-26 Vdc
N 5V Quadrature - Powered by 5-26 Vdc
S Current Sinking, Single Phase

Temperature Rating

1 90°C Industrial

Electrical Connection

1 Industrial, Turck® Connector

Signal Type

P Pulse

A Analog

Q Quadrature



Product includes single directional calibration, bi-directional calibrations for Analog and Quadrature devices are optional.