



Model P001LA Piston Flow Meter (Frequency) 0.005 to 200 cc/min

SPECIFICATIONS

Flow Range	0.005 to 200 cc/min
Accuracy (3 cP)	± 0.2% of reading over a 200:1 range
Maximum Operating Pressure	250 psi (17 bar)
Weight	0.4 kg
Recommended Filtration	5 micron
Port Sizes	1/4" or 6mm tube fitting
Fluids	Most non-aqueous, hydrocarbon based fluids

MATERIALS OF CONSTRUCTION

External	Hard anodized aluminum type 6061; Xylan coated bolts
Wetted	Hard anodized aluminum type 6061; Stainless steel, type 316, Case Hardened type 316, Specialty 400 Series; Nickel plated SmCo magnet
O-Rings	Standard: Viton® Optional: Perfluoroelastmer



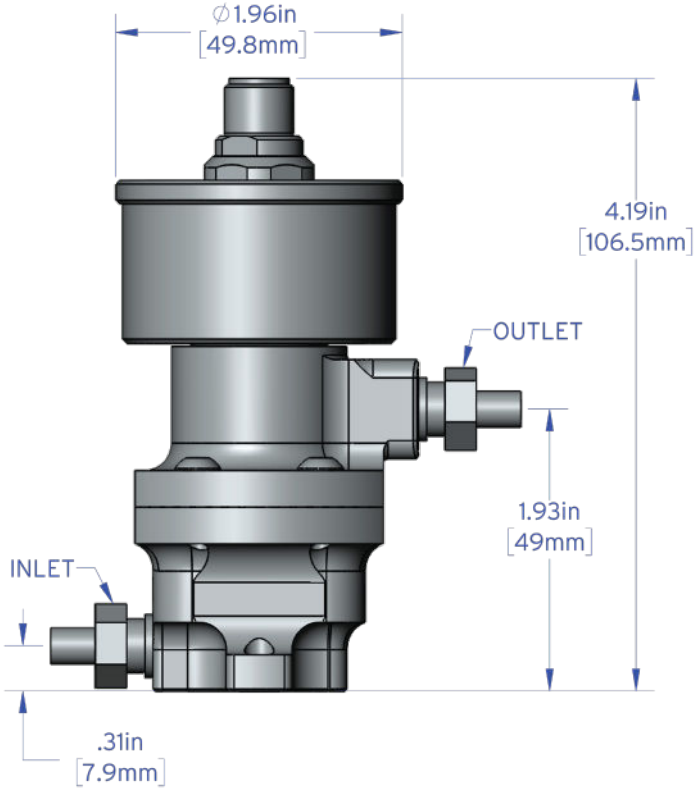
FREQUENCY TRANSMITTER

Output Signal	Standard: 5 Vdc, single phase Optional: Quadrature 5 Vdc, two phase Current sinking, 20 mA max., single phase
K-Factor	Single Phase: 12,000 pulses/cc Two Phase: 24,000 pulses/cc, 4x decoded (6,000 pulses/cc/phase, 1x decoded)
Power Supply Requirements	5-26 Vdc @ 30ma
Ambient Operational Range	-40°C to 80°C
Metered Liquid Temp Range (based on 20° ambient)	-40°C to 90°C

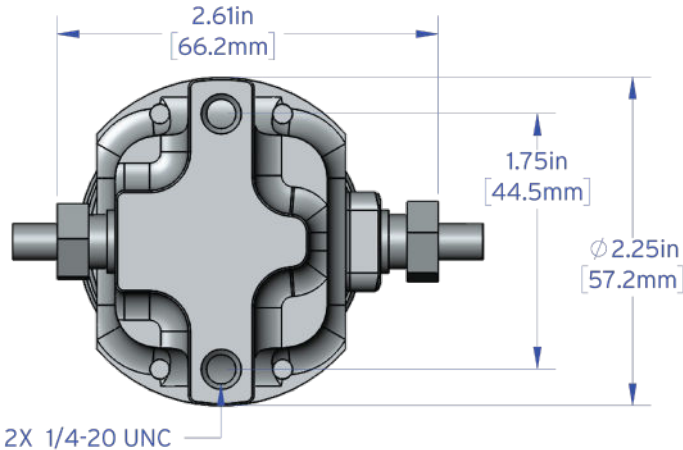


Model P001LA Piston Flow Meter (Frequency)

DIMENSIONS (Not to scale)



MODEL P001LA WITH TUBE PORT AND INDUSTRIAL HOUSING



BOTTOM VIEW



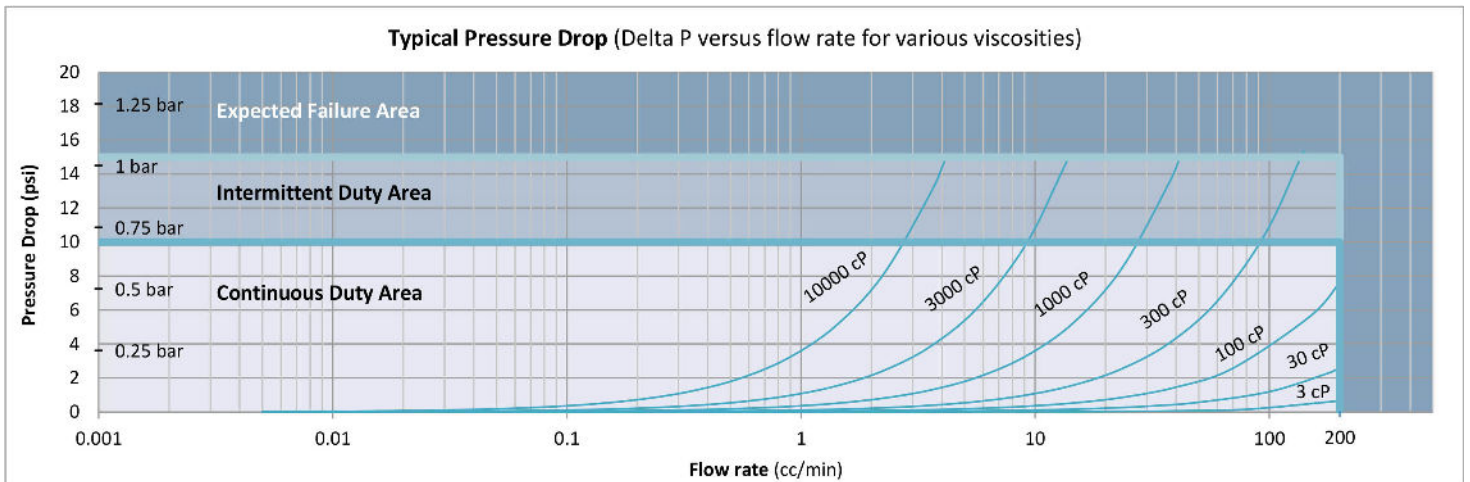
Model P001LA Piston Flow Meter (Frequency)

CONNECTIVITY

ELECTRICAL CONNECTION – FREQUENCY TRANSMITTERS

	Turck® Connector		
	PCA Label	Pin #	Mating Cable Wire Color
Power (+5 to 26 Vdc)	V+	1	Brown
Common	Com	4	Black
Pulse Output	Ph A	2	White
Output Phase B (Quad only)	Ph B	5	Grey
Case Ground	Case	3	Blue

PRESSURE DROP GRAPH





Max Machinery, Inc.
an ISO 9001:2015 certified company

Positive Displacement Flow Meters

Piston Type, P-Series 250 psi (17 bar) rated

Flow Meter Selections

Model # LA /

Transmitter Selections

/ -

Non-Standard Options

Bi-Directional Cal: BID

1 Transmitter Type

Max Flow Range

0.2 Liters/Min P001

Pressure

250 psi (17 bar) LA

Fluid Connection

1/4" and 6mm Tube 3

Seal Selection

Viton® - FKM 1

Perfluoroelastomer - FFKM 5

Options

None NA

A
A
A
A
P
Q
P

Output Type

A 4-20mA Output - Powered by 24 Vdc

B 4-20mA Output - Powered by 12 Vdc

C 0-10 Volt Output - Powered by 24 Vdc

D 0-10 Volt Output - Powered by 12 Vdc

N 5V Pulse/Freq. - Powered by 5-26 Vdc

N 5V Quadrature - Powered by 5-26 Vdc

S Current Sinking, Single Phase

Temperature Rating

1 90°C Industrial

Electrical Connection

1 Industrial, Turck® Connector

Signal Type

P Pulse

A Analog

Q Quadrature



Product includes single directional calibration, bi-directional calibrations for Analog and Quadrature devices are optional.