

## Model G240 Gear Flow Meter (Analog) 250 cc/min to 240 liters/min

### SPECIFICATIONS

Flow Range	250 cc/min to 240 liters/min
Accuracy (at 30 cP)	± 0.3% of reading over a 100:1 range, or ± 2mV (or 4µA), whichever is greater
Maximum Operating Pressure	4000 psi (275 bar) - NPT fittings 6000 psi (414 bar) - SAE fittings
Weight	21 kg
Recommended Filtration	30 micron
Port Size(s)	1" NPT or #16 SAE
Fluids	Most non-aqueous, hydrocarbon based fluids



### MATERIALS OF CONSTRUCTION

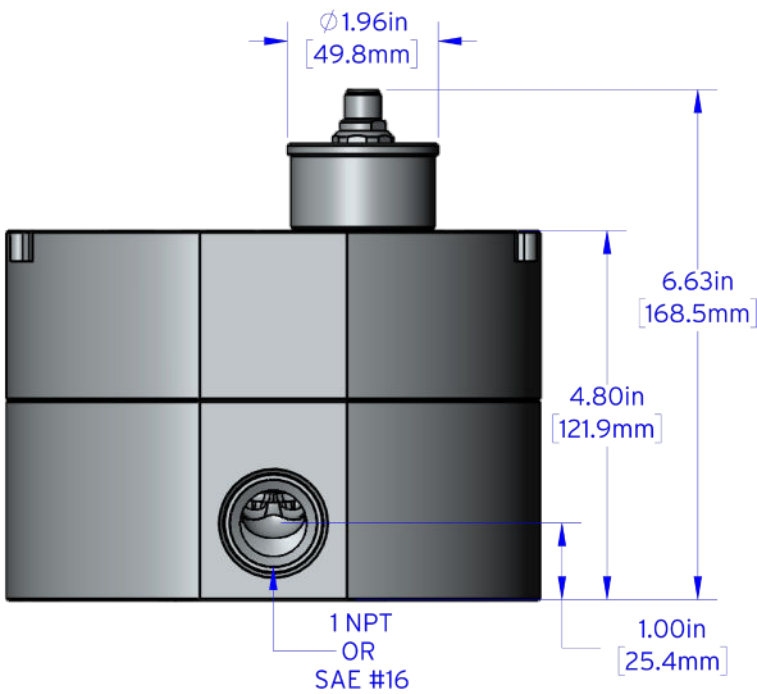
External	Stainless steel, type 303; Xylan Coated Bolts
Wetted	Stainless steel, type 303, 440C, 17-4; Nickel plated SmCo magnet
O-Rings	Standard: Viton® Optional: Teflon®, Perfluoroelastomer

### ANALOG TRANSMITTER

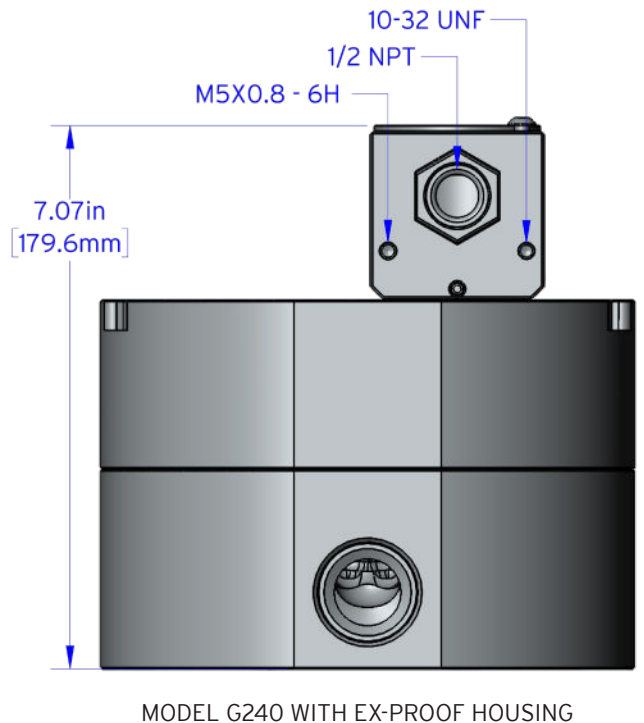
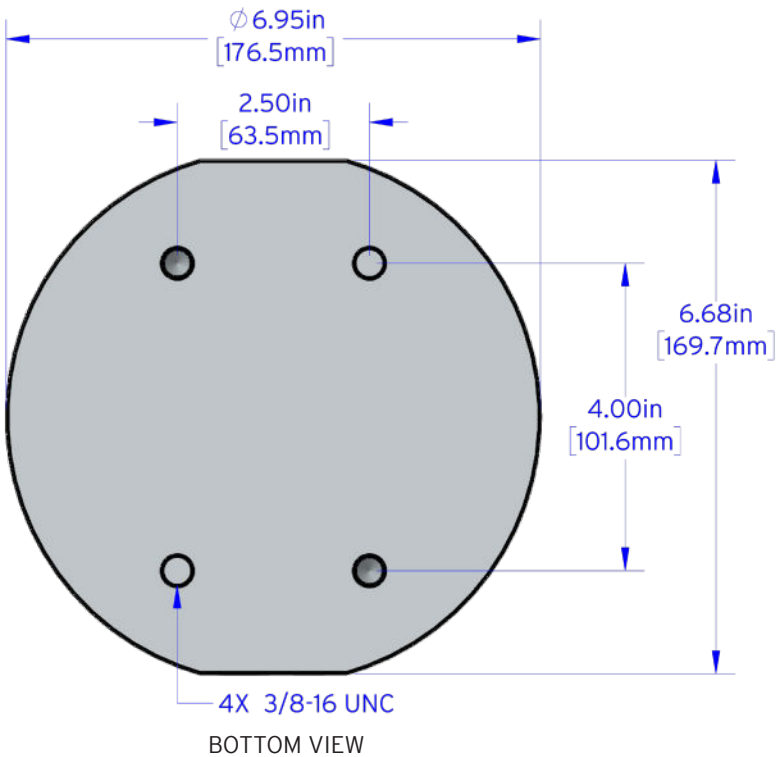
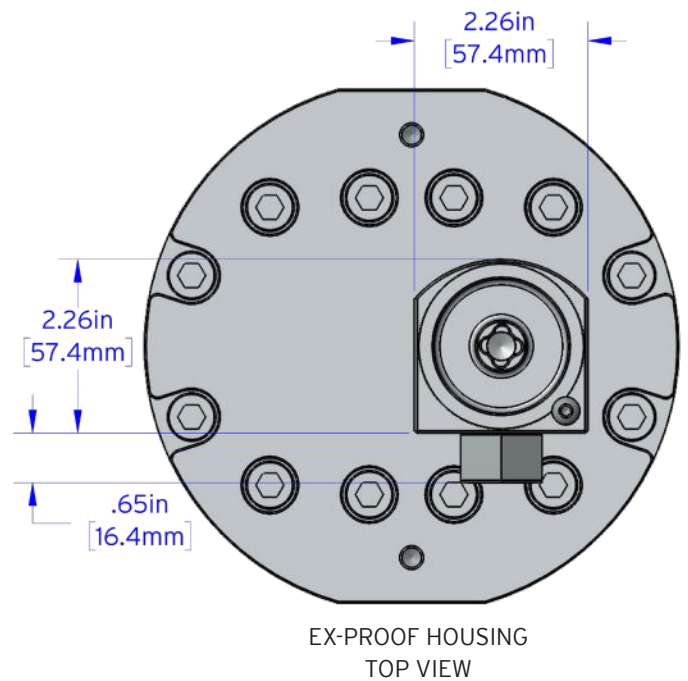
Output Signal	Any range of ± 10V or ± 20mA Linearized and damped with anti-dither protection.
Power Supply Requirements	Two Models: 12Vdc @ 90 mA, 24Vdc @ 45 mA
Ambient Operational Range	-40°C to 80°C, Single piece – Two piece to 110°C
Metered Liquid Temp Range (based on 20° ambient)	-40°C to 90°C, Standard model -40°C to 155°C, Two piece high temperature model -40°C to 225°C, Two piece, ultra high temperature model
Compliance	CE Certified, Ex-proof version available with ATEX/IECEX II 2 G Ex db IIB Tx Gb as well as UL, cUL certification for Class 1, Division 1, Groups C and D, Tx

# Model G240 Flow Meter (Analog)

DIMENSIONS (Not to scale)

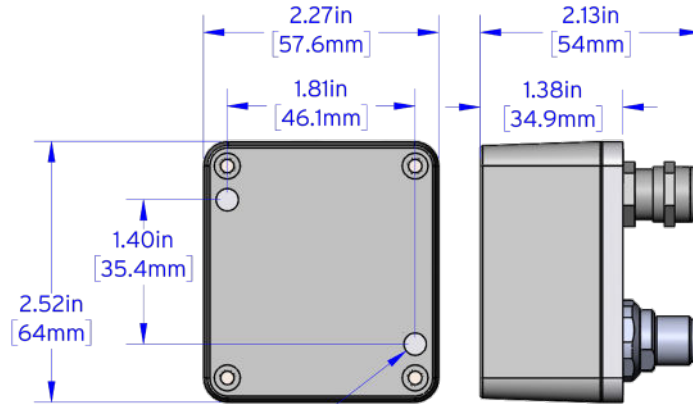


MODEL G240 WITH INDUSTRIAL HOUSING



# Model G240 Flow Meter (Analog)

## DIMENSIONS (Not to scale)



12-24 UNC  
REMOTE PCA ENCLOSURE FOR HIGH TEMPERATURE TRANSMITTERS

(Not Shown: Industrial 2 meter interconnect cable included, Ex-Proof user supplied interconnect cable required)

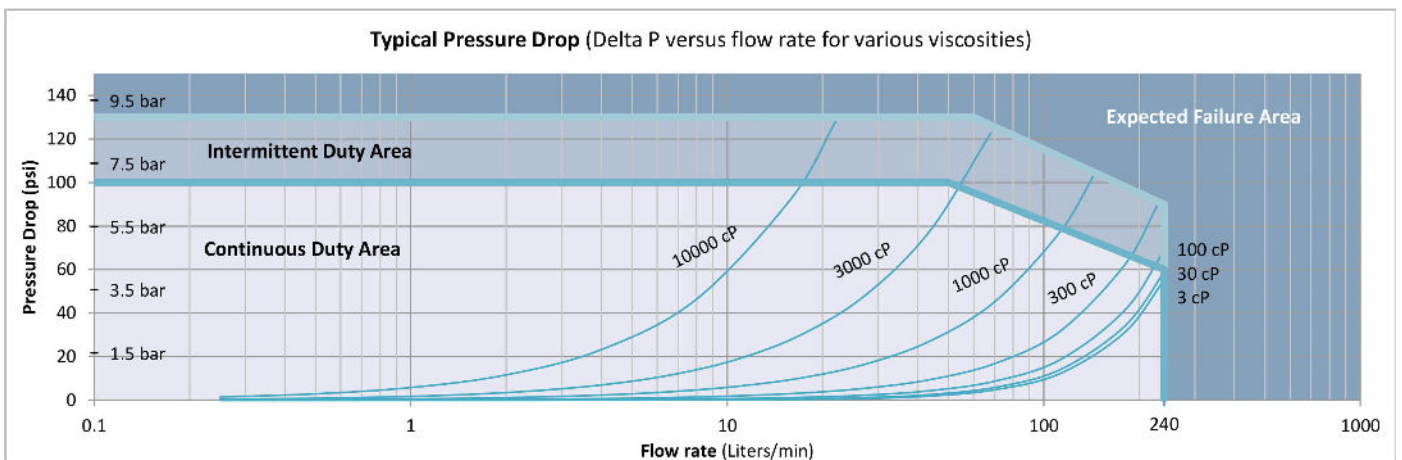
## CONNECTIVITY

### ELECTRICAL CONNECTION – ANALOG TRANSMITTERS

	Turck® Connector		
	PCA Label	Pin #	Mating Cable Wire Color
Power *	V+	1	Brown
Common	Com	4	Black
Signal Output (+)	Sig	5	Grey
Signal Output (-)	Ret	2	White
Case Ground	Case	3	Blue

\* Please specify 12Vdc or 24Vdc operation

## PRESSURE DROP GRAPH



## Positive Displacement Flow Meters Gear Type, G-Series

Flow Meter Selections      Transmitter Selections

Model #   HS   /    / 1 -  Non-Standard Options

Bi-Directional Cal: BID

1 Transmitter Type

### Max Flow Range

4 Liters/Min	G004
15 Liters/Min	G015
45 Liters/Min	G045
105 Liters/Min	G105
240 Liters/Min	G240

### Pressure

6000 psi (414 bar) HS

Note: G240 limited to 4000 psi (275 bar)  
if specified with NPT connections

### Fluid Connection

NPT	1
SAE	2

### Seal Selection

Viton® - FKM	1
Teflon® - PTFE***	3
Perfluoroelastomer - FFKM	5

### Options

None	NA
Heat Trace Option	HT

### Output Type

A	A	4-20mA Output - Powered by 24 Vdc
A	B	4-20mA Output - Powered by 12 Vdc
A	C	0-10 Volt Output - Powered by 24 Vdc
A	D	0-10 Volt Output - Powered by 12 Vdc
P	N	5V Pulse/Freq. - Powered by 5-26 Vdc
Q	N	5V Quadrature - Powered by 5-26 Vdc
P	S	Current Sinking, Single Phase

### Temperature Rating

- 90°C Industrial / 75°C Haz-Loc
- 155°C Ind. / 130°C Haz-Loc, 2 Part \*\*
- 225°C Industrial, 2 Part †

### Electrical Connection

- Industrial, Turck® Connector
- Hazardous Location, 1/2 Inch Conduit\*

### Signal Type

P	Pulse
A	Analog
Q	Quadrature

\* See temp chart in product manual.

\*\* Receiver portion of 2 part transmitters are not rated Ex-Proof, consult factory.

\*\*\* Teflon® not used above 90°C for this high pressure rated product.

† Not available for hazardous location use. (Exceeds 130°C temp. limit.)

Product includes single directional calibration, bi-directional calibrations for analog and quadrature devices are optional.



Model G015